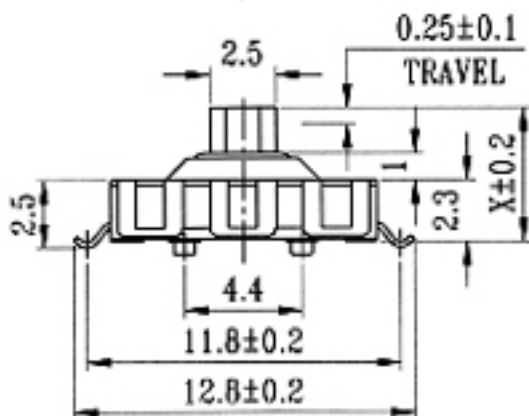
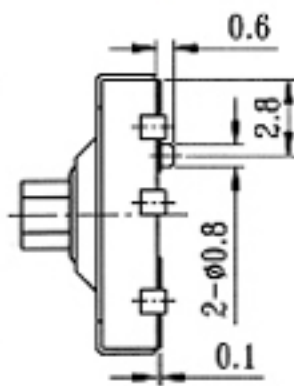
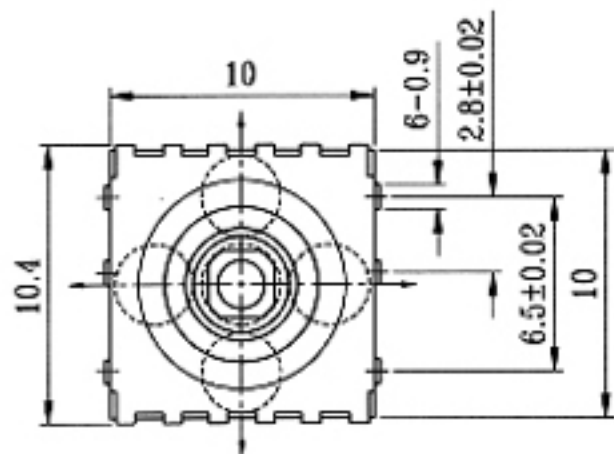
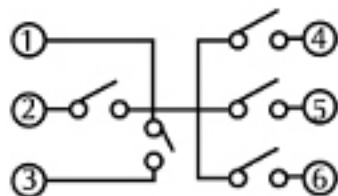


## MT-004 SERIES



Model	X
MT-004A	5
MT-004B	7
MT-004C	9

### CIRCUIT DIAGRAM



### SPECIFICATIONS

Rating : 50mA 12V DC

Operating Force: Central: 300 ± 80gf

Local: 160 ± 50gf