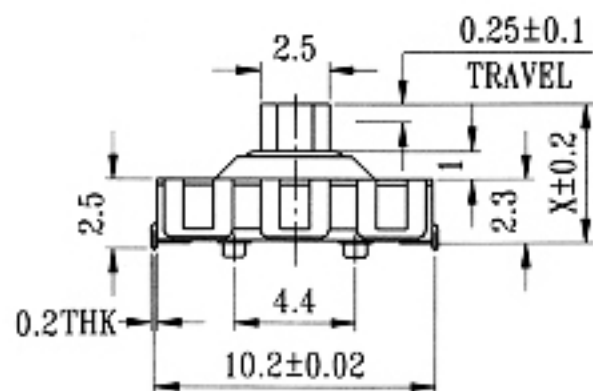
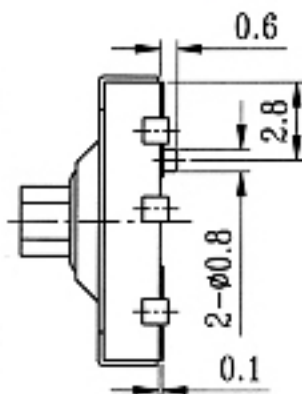
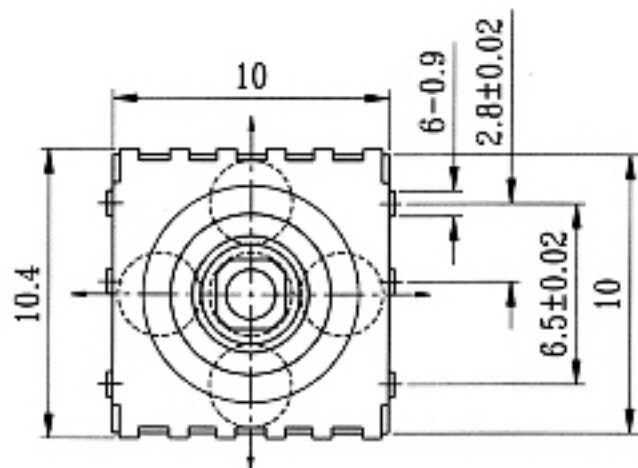
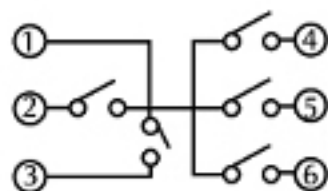


MT-003 SERIES



Model	X
MT-003A	5
MT-003B	7
MT-003C	9

CIRCUIT DIAGRAM



SPECIFICATIONS

Rating : 50mA 12V DC
 Operating Force: Central: 300 ± 80gf
 Local: 160 ± 50gf