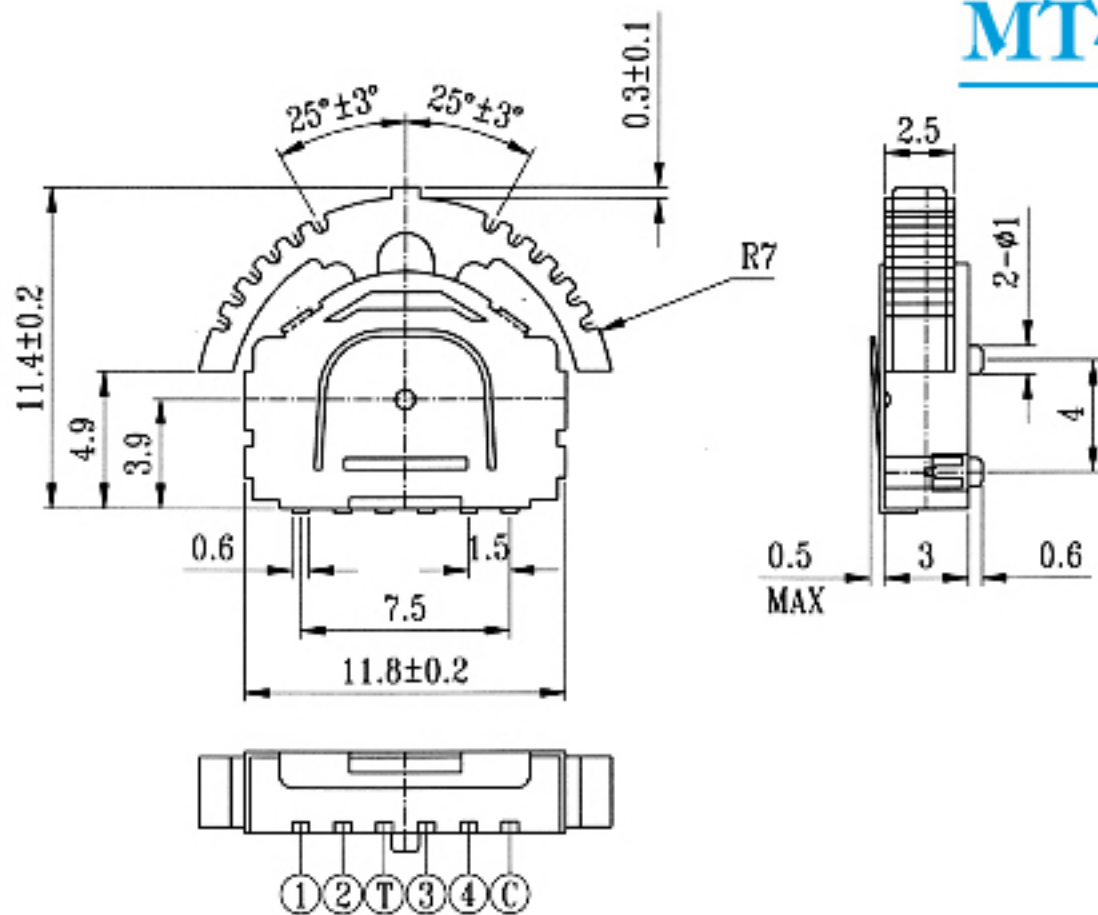
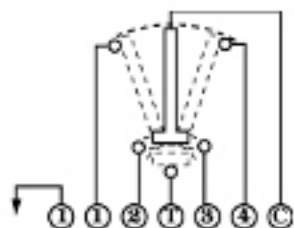


MT-002A



CIRCUIT DIAGRAM



SPECIFICATIONS

Rating : 50mA 12V DC
 Initial Contact Resistance: 100 mΩ max
 Operating Force 70gf
 Push Portion 200gf