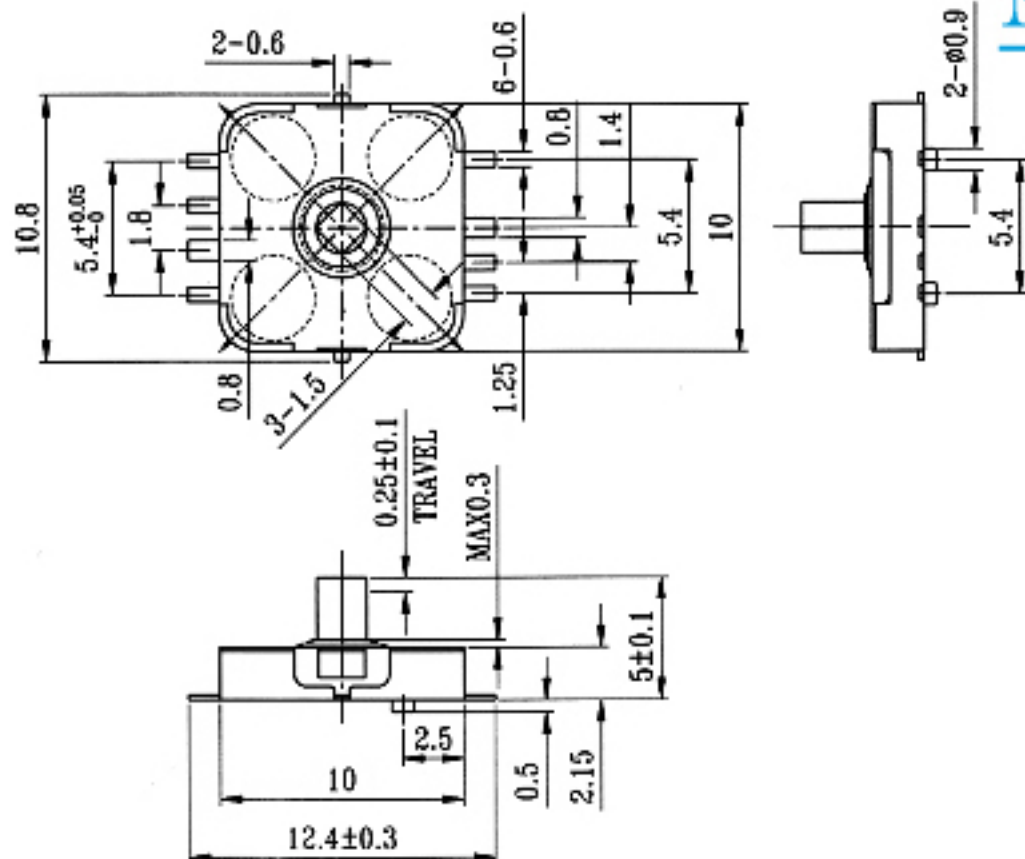
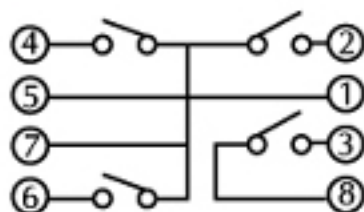


MT-001A



CIRCUIT DIAGRAM



SPECIFICATIONS

Rating : 50mA 12V DC
 Initial Contact Resistance: 100mΩ max
 Function: 4 Position