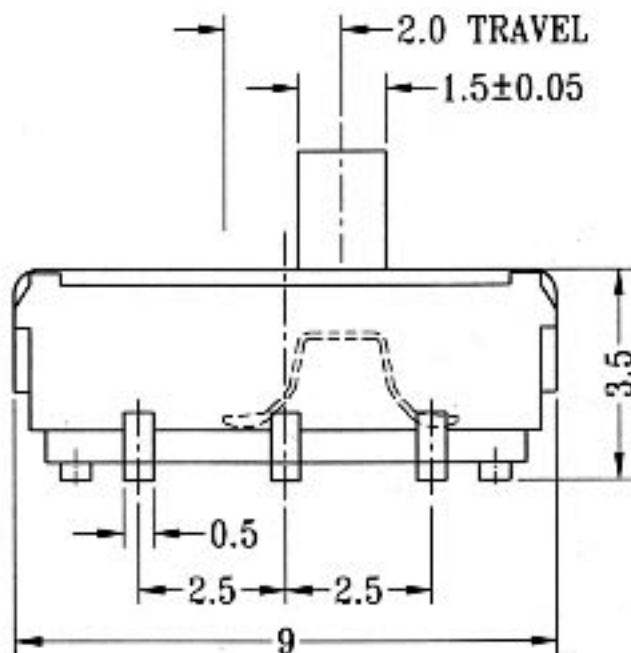
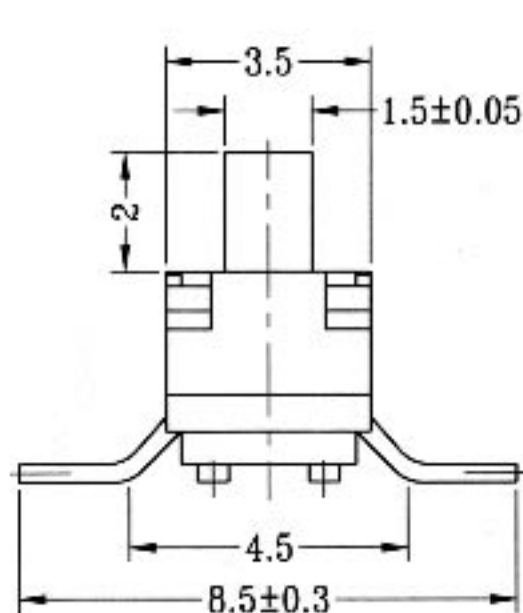
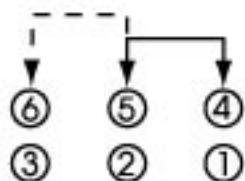


## MS22D18



### CIRCUIT DIAGRAM



### SPECIFICATIONS

Rating : 0.3A 6V DC

Travel: 2mm

Function: 2P2T

Operating Force:  $250 \pm 150$ gf