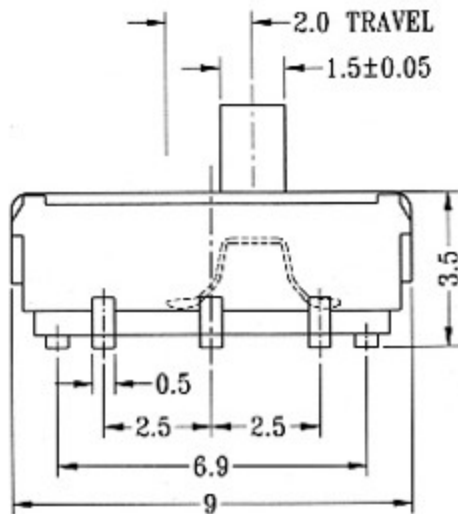
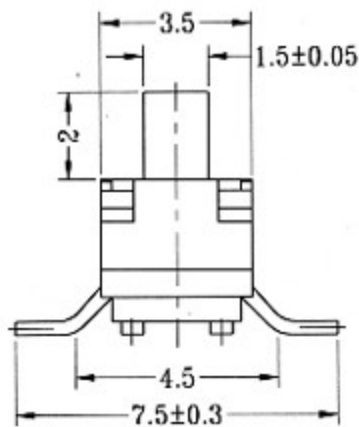
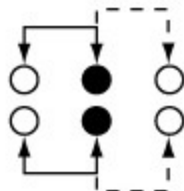


MS22D17

N



CIRCUIT DIAGRAM



SPECIFICATIONS

Rating : 0.3A 6V DC
 Travel: 2mm
 Function: 2P2T
 Operating Force: 250 ±150gf
 Initial Contact Resistance: 70mΩ MAX