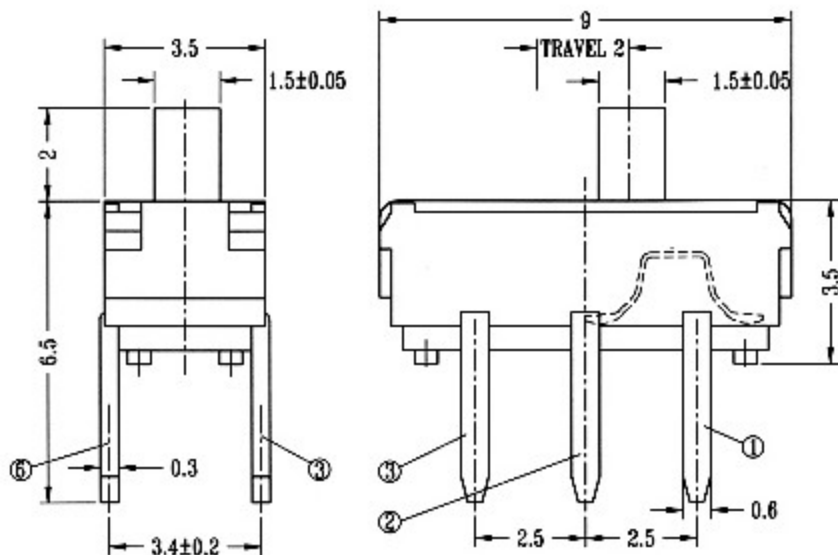
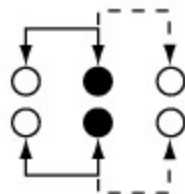


MS22D16

N



CIRCUIT DIAGRAM



SPECIFICATIONS

Rating : 0.3A 6V DC
 Travel: 2mm
 Function: 2P2T
 Operating Force: 250 ± 150 gf
 Initial Contact Resistance: $70\text{m}\Omega$ MAX