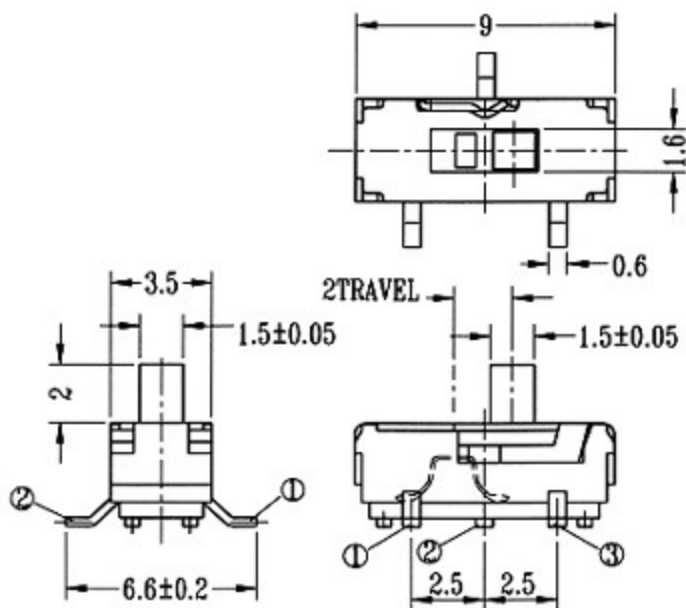
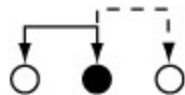


MS12D17

(N)



CIRCUIT DIAGRAM



SPECIFICATIONS

Rating : 0.3A 6V DC

Travel: 2mm

Function: 1P2T

Operating Force: 250 ±150gf

Initial Contact Resistance: 70mΩ MAX