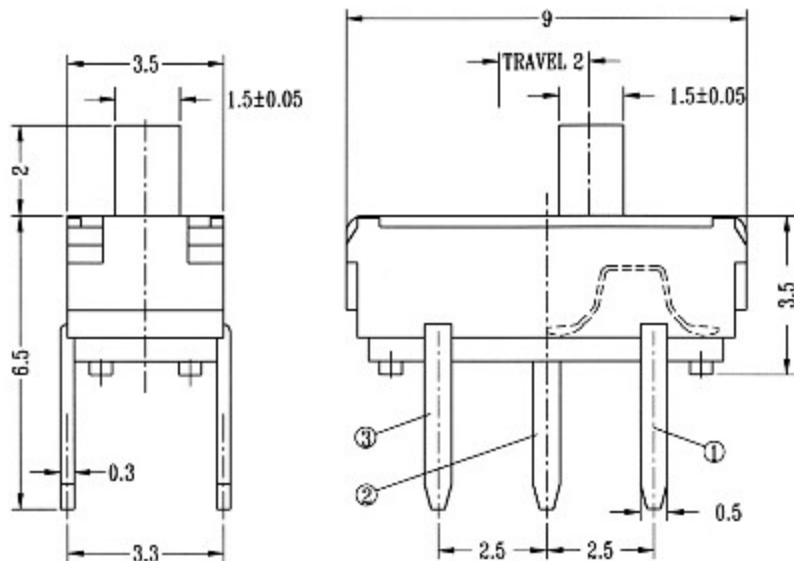
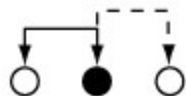


MS12D16

N



CIRCUIT DIAGRAM



SPECIFICATIONS

Rating : 0.3A 6V DC

Travel: 2mm

Operating Force: 250 ±150gf

Function: 1P2T