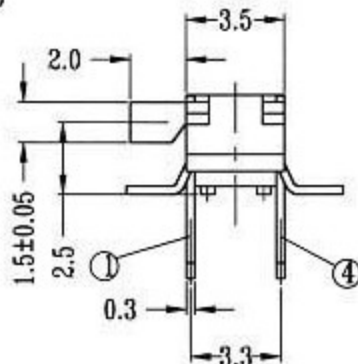
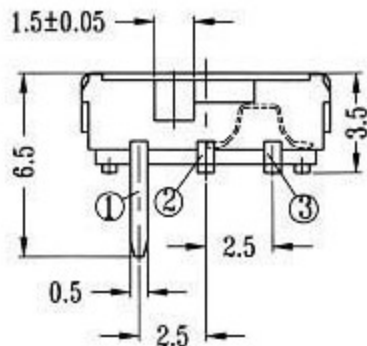
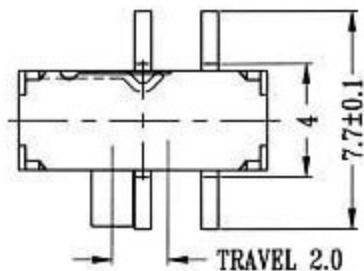
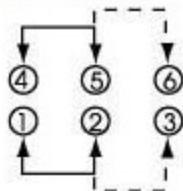


MK22D13 SERIES



CIRCUIT DIAGRAM



SPECIFICATIONS

Rating : 0.3A 6V DC

Travel: 2mm

Function: 2P2T

Operating Force: 250 ±150gf