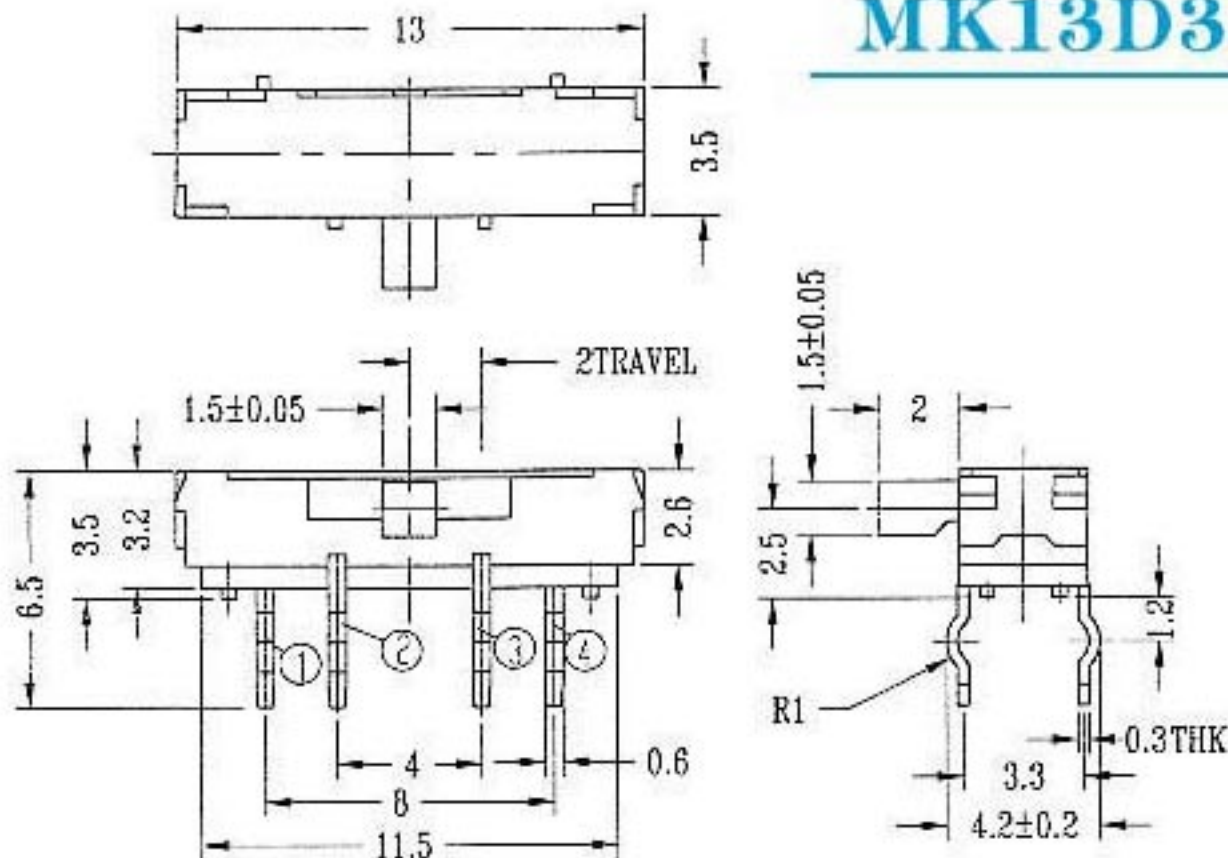
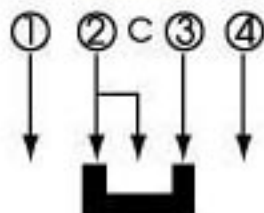


# MK13D38



## CIRCUIT DIAGRAM



## SPECIFICATIONS

Rating : 0.3A 6V DC

Travel: 2mm

Function: 2P2T

Operating Force: 250 ±150gf

Initial Contact Resistance: 70mΩ MAX