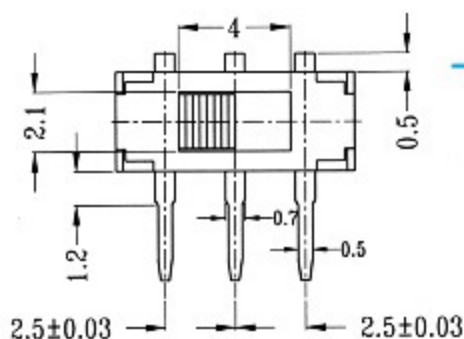
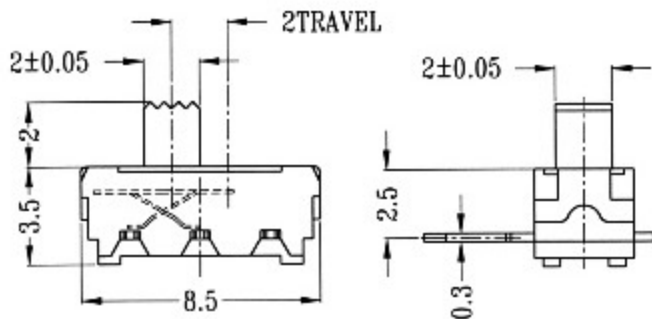


# MK12D13 SERIES



Model No	Knob Thickness(mm)
MK-12D13	2
MK-12D14	4



## CIRCUIT DIAGRAM



## SPECIFICATIONS

Rating : 0.3A 6V DC

Travel: 2mm

Function: 1P2T

Operating Force: 250 ±150gf

Initial Contact Resistance: 70mΩ MAX