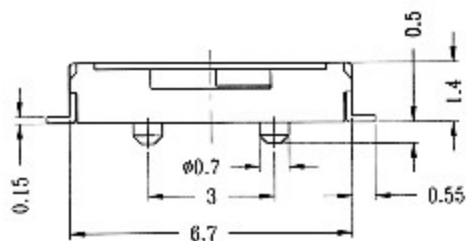
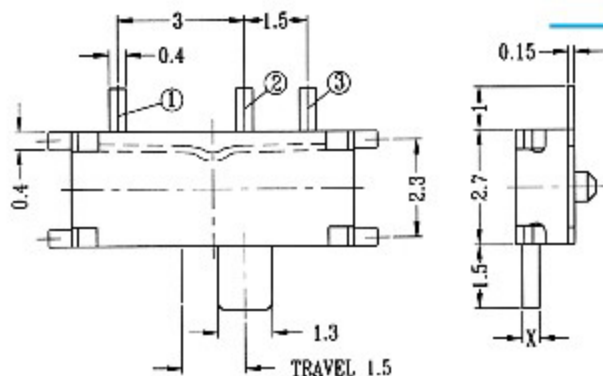
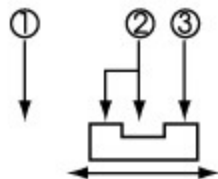


MK12C02 SERIES



Model No	Ground Terminal	Knob Thickness(mm)	Tape & Reel Option
MK-12C02-PA	With	0.4	Yes
MK-12C02-PB	With	1.1	Yes
MK-12C02-NA	Without	0.4	Yes
MK-12C02-NB	Without	1.1	Yes

CIRCUIT DIAGRAM



SPECIFICATIONS

Rating : 0.3A 6V DC

Travel:1.5mm

Function: 1P2T

Operating Force: 200 ±100gf

Initial Contact Resistance: 70mΩ MAX