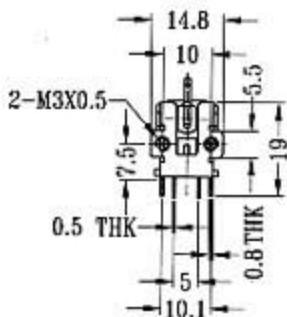
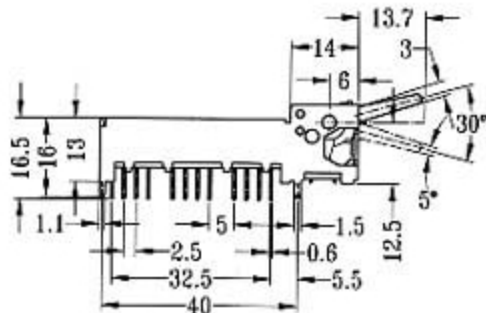
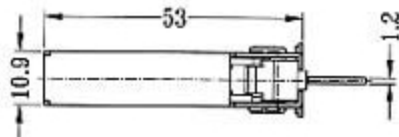


## LS-62J01

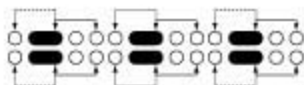
Optional knob type

TK	TG	TM			



### CIRCUIT DIAGRAM

### SPECIFICATIONS



Rating : 0.3A 50V DC  
Function: 6P2T