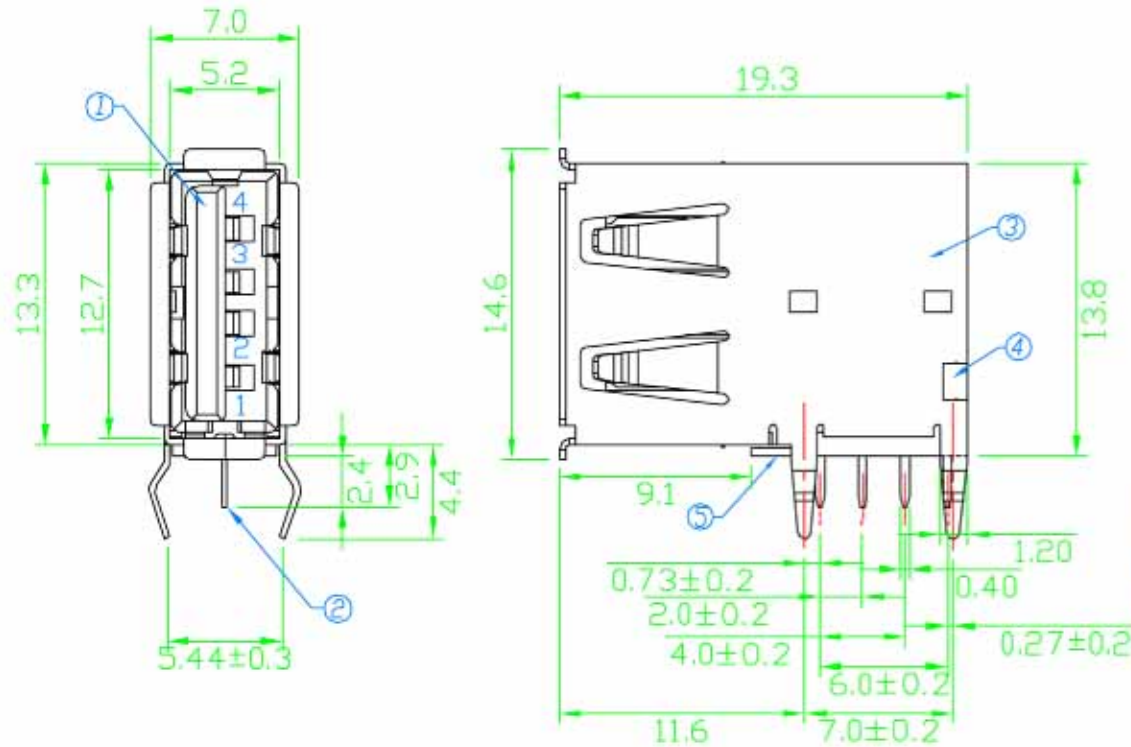


# 毅永企業有限公司 E-YUNG ENTERPRISE CO., LTD.



REV	ZONE	REVISION	DATE

### Specification:

Contact Resistance: 30m Ohm Max.

Insulation Resistance: 1000M Ohm Min. At 500VDC.

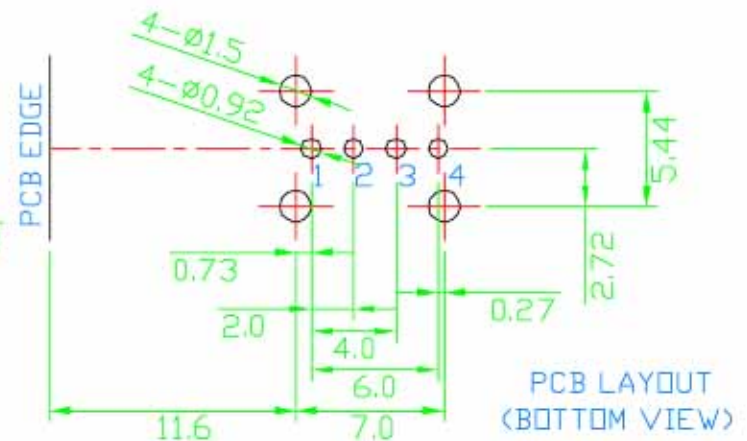
Rated Voltage And Current: 1.5A At 250VAC Minimum.

Dielectric Withstanding Voltage: 750V AC (rms) for 1 Minute(Rev. 1.1)

Durability (Life Test): 1500 Cycles

Insertion Force: 35 Newton Maximum.

Extraction Force: 10 Newton Minimum.



NO.	NAME	MATERIAL	FINISH	Q'TY	REMARK
1	HOUSING	PBT G.F.	WHITE	1	
2	TERMINAL	PHOS. BRONZE T0.25	GOLD/TIN PLATED	4	Gold(1~3u") Ni(40~60u") TIN(20u") (100% pure Sn of lead free plating)
3	SHELL	BRASS T:0.3	NICKEL PLATED	1	
4	REAR SHELL	SPCC T:0.3	NICKEL PLATED	1	
5	BOTTOM COVER	PBT G.F.	WHITE	1	