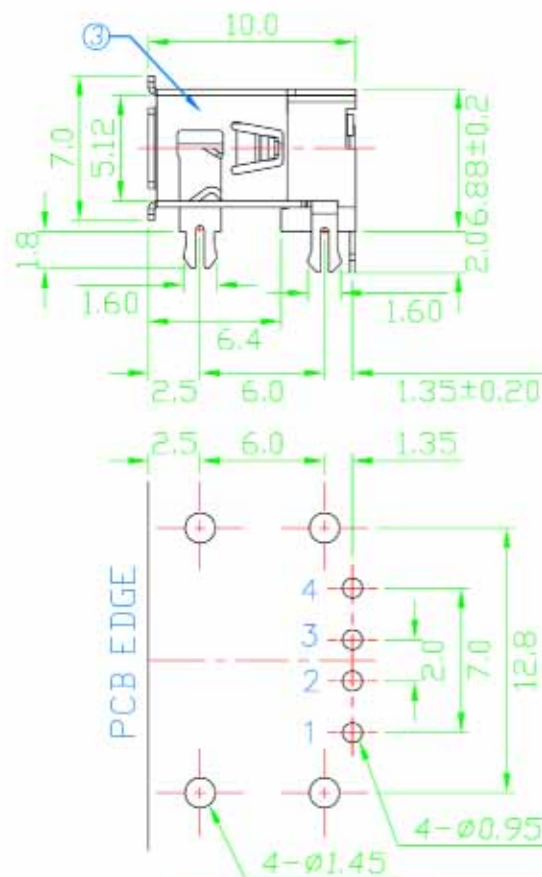
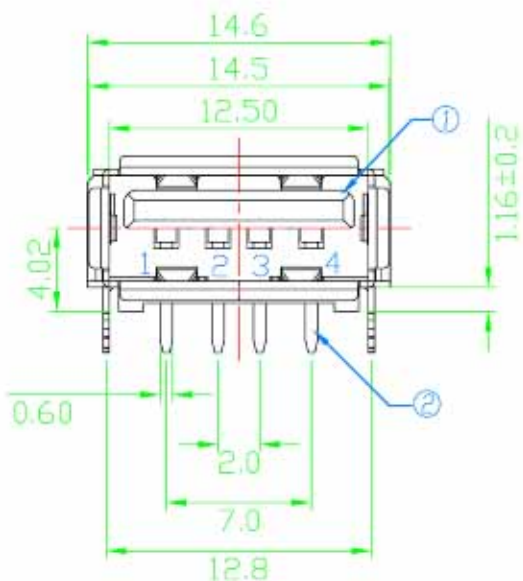


— 毅永企業有限公司 E-YUNG ENTERPRISE CO., LTD. —



PCB LAYOUT
(BOTTOM VIEW)

| REV | ZONE | REVISION | DATE |
|-----|------|----------|------|
| | | | |
| | | | |

Specification:

Contact Resistance: 30m Ohm Max.

Insulation Resistance: 1000M Ohm Min. At 500VDC.

Rated Voltage And Current: 1.5A At 250VAC Minimum.

Dielectric Withstanding Voltage:

750V AC (rms) for 1 Minute(Rev. 1.1)

Durability (Life Test): 1500 Cycles

Insertion Force: 35 Newton Maximum.

Extraction Force: 10 Newton Minimum.

| NO. | NAME | MATERIAL | FINISH | Q'TY | REMARK |
|-----|----------|---------------------|-----------------|------|--|
| 1 | HOUSING | PBT G.F. | BLACK | 1 | |
| 2 | TERMINAL | PHOS. BRONZE T:0.25 | GOLD/TIN PLATED | 4 | Gold(1-3u') Ni(40-60u') TIN120u' (100% pure Tin of lead free plating) |
| 3 | SHELL | BRASS T:0.3 | NICKEL PLATED | 1 | Ni80~120u' |