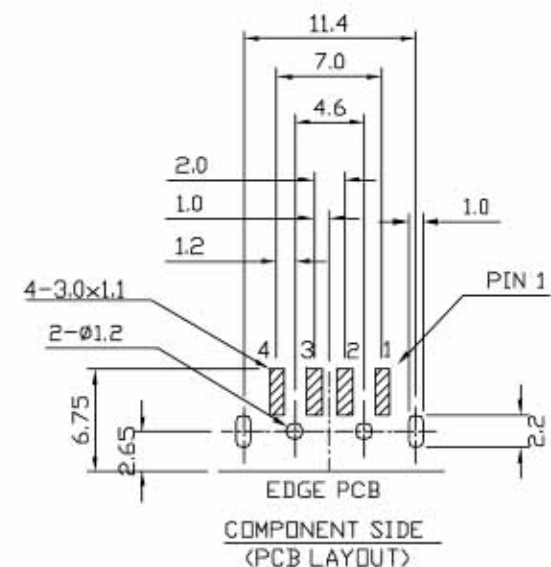
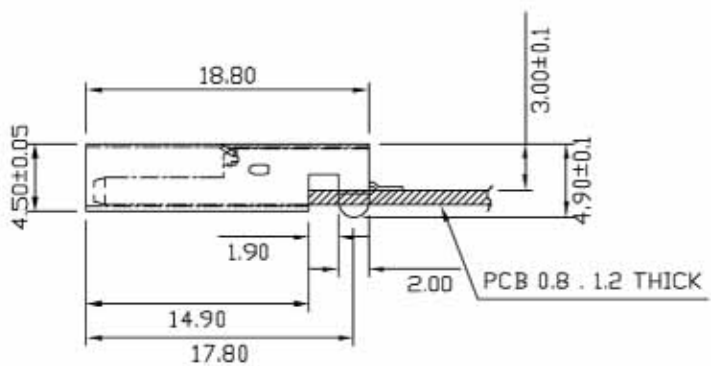
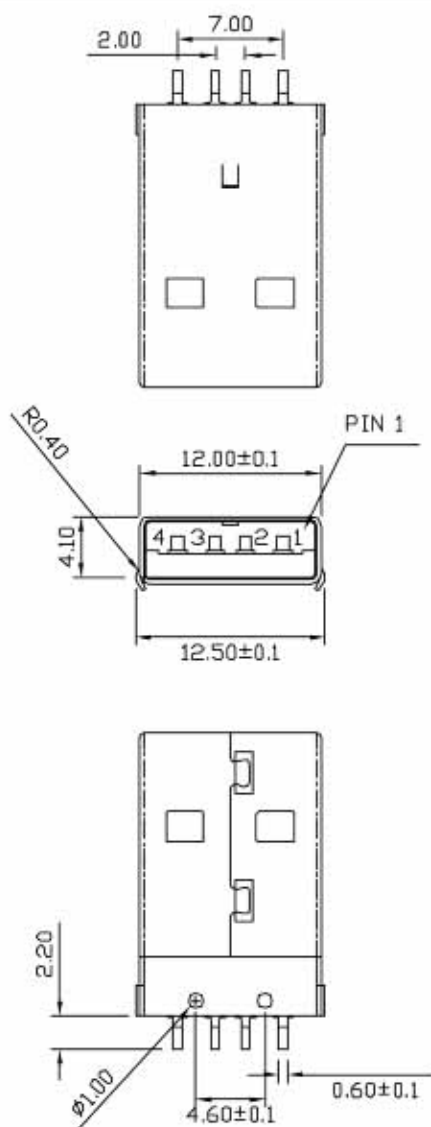


毅永企業有限公司 E-YUNG ENTERPRISE CO., LTD.

REV	ZONE	REVISION	DATE



NO.	NAME	MATERIAL	FINISH	REMARK	Q'TY
1	HOUSING	NYLON PA9T G.F.	BLACK		1
2	PIN TERM.	BRASS EH T:0.25 mm	GOLD/TIN PLATED	Gold:30u'; NI:40~60u'; TIN:120u' (100% pure Tin of lead free plating)	4
3	SHELL	SPCC T:0.3 mm	NICKEL PLATED	NI:80~120u'	1