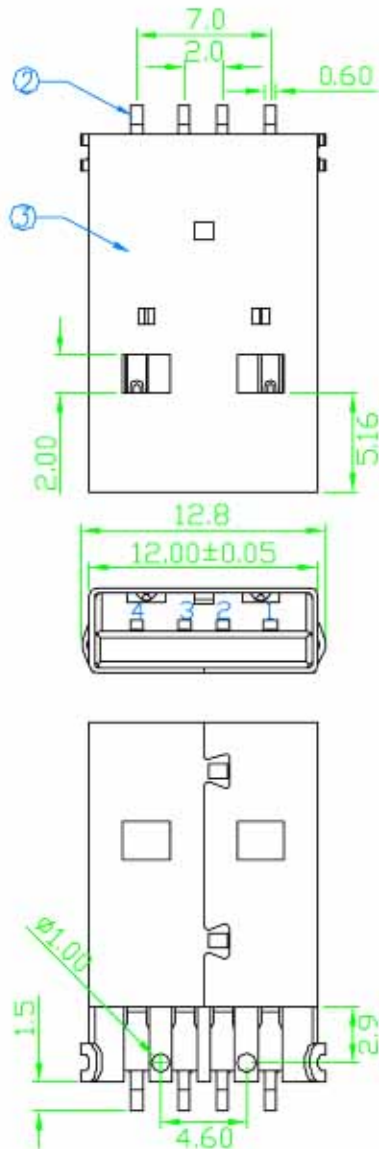
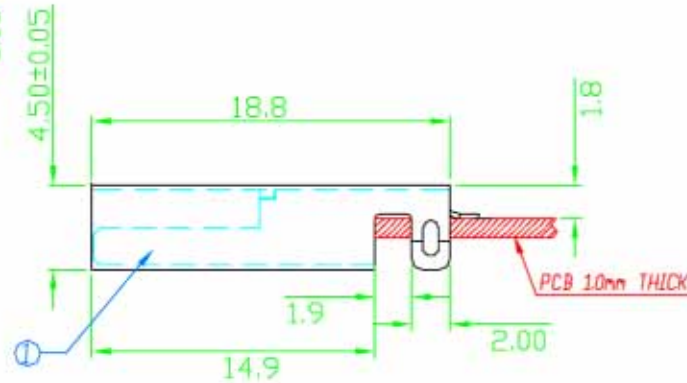


毅永企業有限公司 E-YUNG ENTERPRISE CO., LTD.

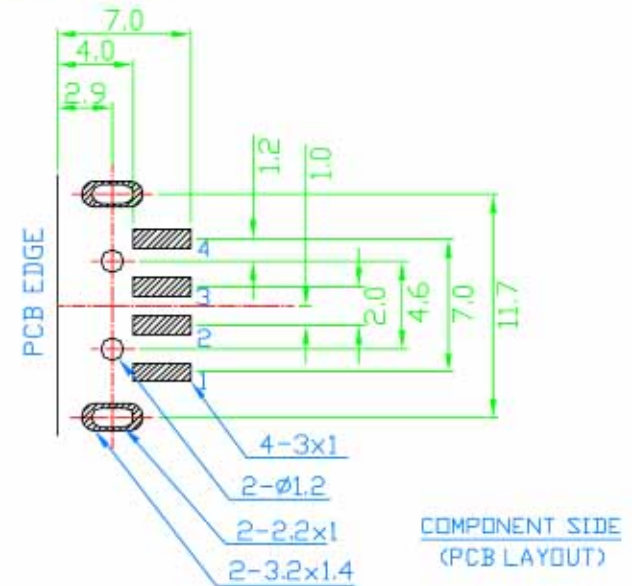


Specification:

- Contact Resistance: 30m Ohm Max.
- Insulation Resistance: 1000M Ohm Min. At 500VDC.
- Rated Voltage And Current: 1.5A At 250VAC Minimum.
- Dielectric Withstanding Voltage: 500V AC (rms) for 1 Minute(Rev. 2.0)
- Durability (Life Test): 1500 Cycles
- Insertion Force: 35 Newton Maximum.
- Extraction Force: 10 Newton Minimum.



REV	ZONE	REVISION	DATE



NO.	NAME	MATERIAL	FINISH	Q'TY	REMARK
1	HOUSING	NYLON PA9T G.F.	BLACK	1	
2	TERMINAL	BRASS E-H T:0.25	GOLD/TIN PLATED	4	Gold:30u" Ni:40~60u" TIN:120u" (100% pure Tin of lead free plating)
3	SHELL	SPCC T:0.3	NICKEL PLATED	1	Ni:80~120u"