

— 毅永企業有限公司 E-YUNG ENTERPRISE CO., LTD. —

REV	ZONE	REVISION	DATE

Specification:

Contact Resistance: 30m Ohm Max.

Insulation Resistance: 1000M Ohm Min. At 500VDC.

Rated Voltage And Current: 1.5A At 250VAC Minimum.

Dielectric Withstanding Voltage:

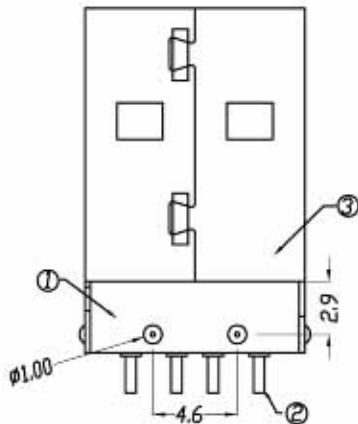
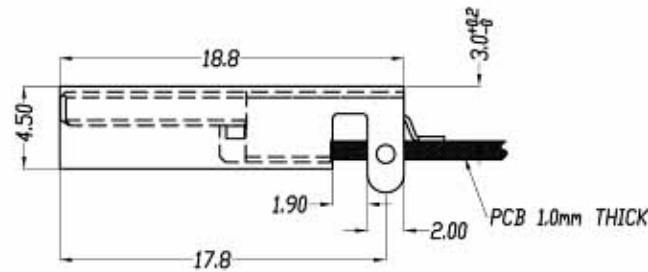
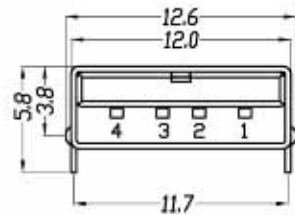
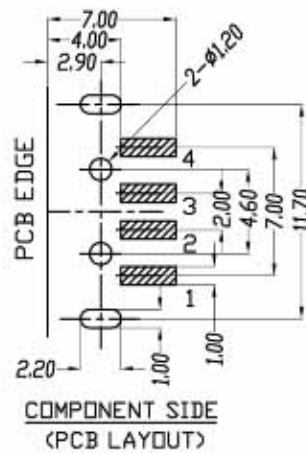
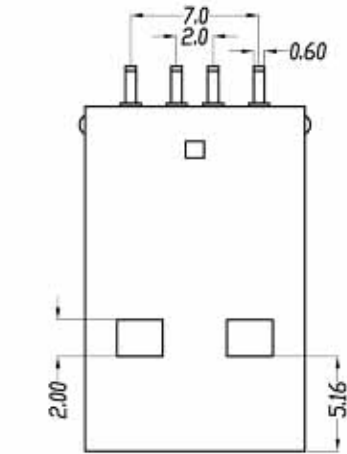
750V AC (rms) for 1 Minute(Rev. 1.1)

500V AC (rms) for 1 Minute(Rev. 2.0)

Durability (Life Test): 1500 Cycles

Insertion Force: 35 Newton Maximum.

Extraction Force: 10 Newton Minimum.



NO.	NAME	MATERIAL	FINISH	REMARK	Q'TY
1	HOUSING	NYLON PA9T G.F.	BLACK		1
2	PIN TERM.	BRASS EH T:0.25 mm	GOLD/TIN PLATED	Gold1~3u", NI40~60u", TIN120u" (100% pure Tin of lead free plating)	4
3	SHELL	SPCC T:0.3 mm	NICKEL PLATED	NI:80~120u"	1