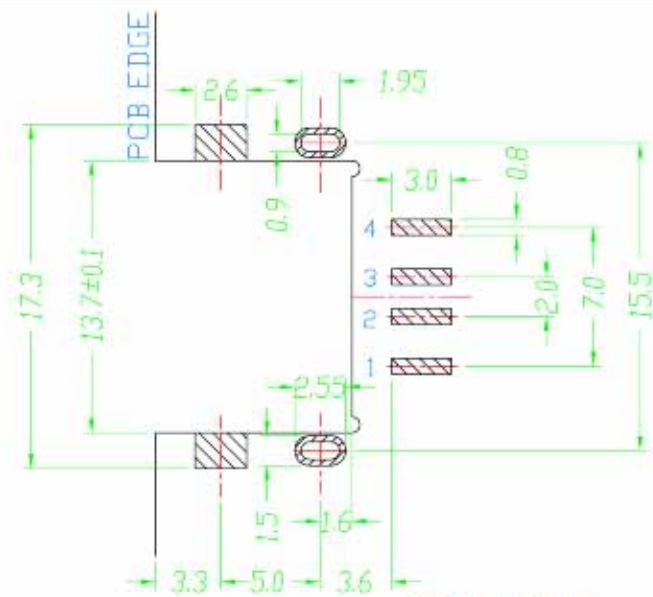
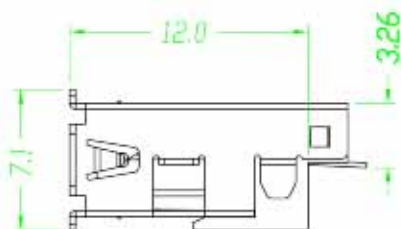
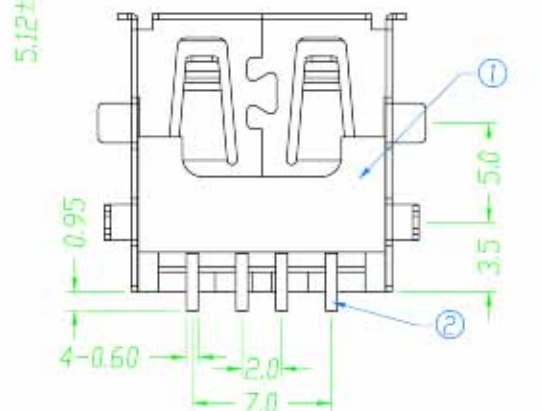
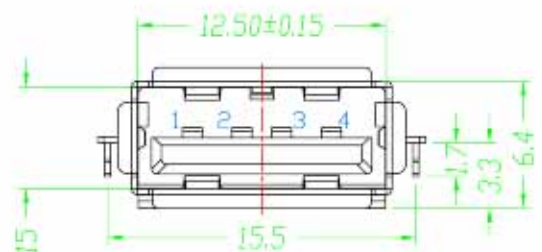
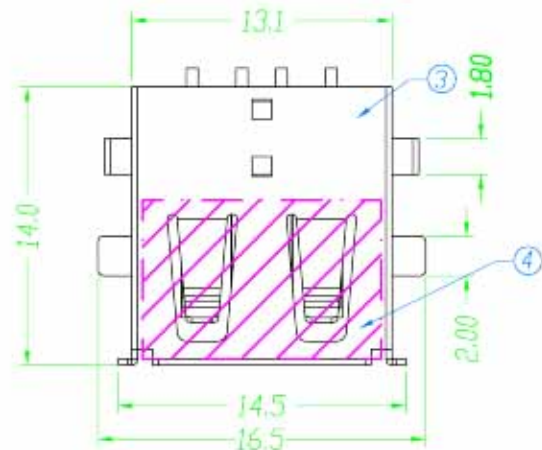


— 毅永企業有限公司 E-YUNG ENTERPRISE CO., LTD. —

PACKING STYLE: TAPE REEL

REV	ZONE	REVISION	DATE



PCB LAYOUT (BOTTOM VIEW)

Specification:

- Contact Resistance: 30m Ohm Max.
- Insulation Resistance: 1000M Ohm Min. At 500VDC.
- Rated Voltage And Current: 1.5A At 250VAC Minimum.
- Dielectric Withstanding Voltage: 750V AC (rms) for 1 Minute (Rev. 1.1)
- Durability (Life Test): 1500 Cycles
- Insertion Force: 35 Newton Maximum.
- Extraction Force: 10 Newton Minimum.

NO.	NAME	MATERIAL	FINISH	Q'TY	REMARK
1	HOUSING	LCP G.F.	BLACK	1	
2	TERMINAL	PHOS. BRONZE T:0.25	GOLD/TIN PLATED	4	Gold:1-3u", Ni:40-60u", TIN:120u" (100% pure Tin of lead free plating)
3	SHELL	BRASS T:0.3	NICKEL PLATED	1	Ni:50u" MINIMUM.
4	MYLAR TAPE	MYLAR	YELLOW	1	