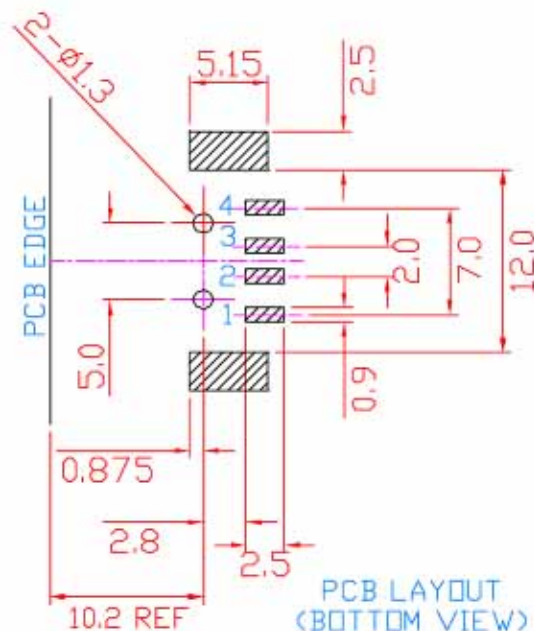
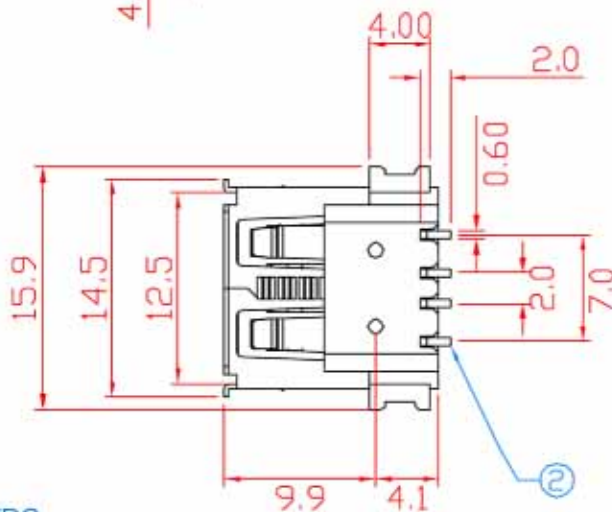
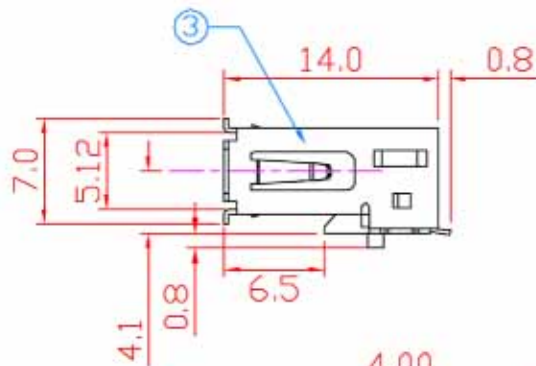
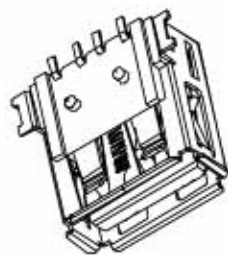
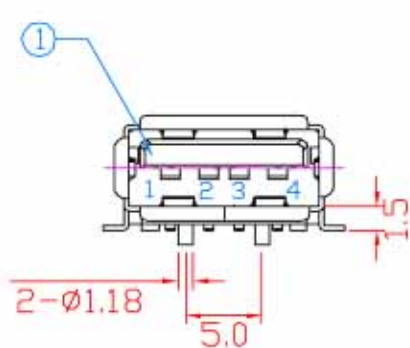


# — 毅永企業有限公司 E-YUNG ENTERPRISE CO., LTD. —

REV	ZONE	REVISION	DATE



## Specification:

Contact Resistance: 30m Ohm Max.

Insulation Resistance: 1000M Ohm Min. At 500VDC.

Rated Voltage And Current: 1.5A At 250VAC Minimum.

Dielectric Withstanding Voltage:

750V AC (rms) for 1 Minute(Rev. 1.1)

Durability (Life Test): 1500 Cycles

Insertion Force: 35 Newton Maximum.

Extraction Force: 10 Newton Minimum.

NO.	NAME	MATERIAL	FINISH	REMARK	QTY
1	HOUSING	NYLON PA9T G.F.	BLACK		1
2	PIN TERM.	PHOS. BRONZE T:0.25	GOLD/TIN PLATED	Gold:1-3u"; Ni:40-60u"; TIN:120u" (100% pure Tin of lead free plating)	4
3	SHELL	BRASS T:0.3	NICKEL PLATED	Ni:50u" MINIMUM.	1