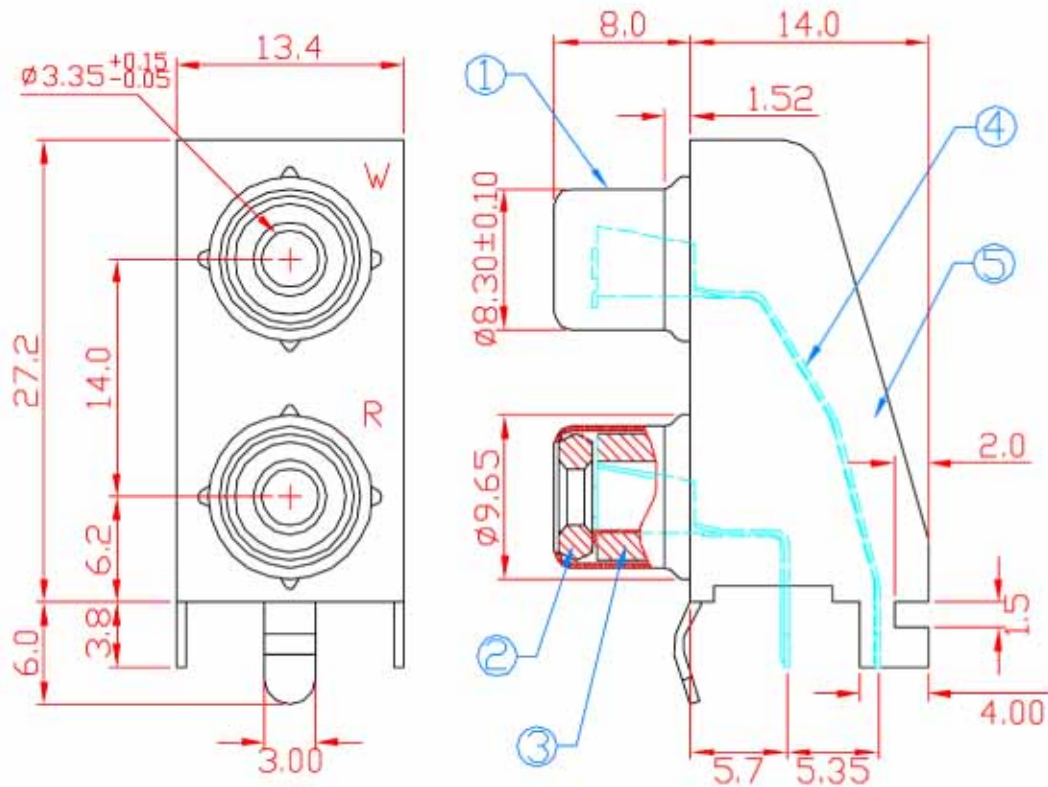
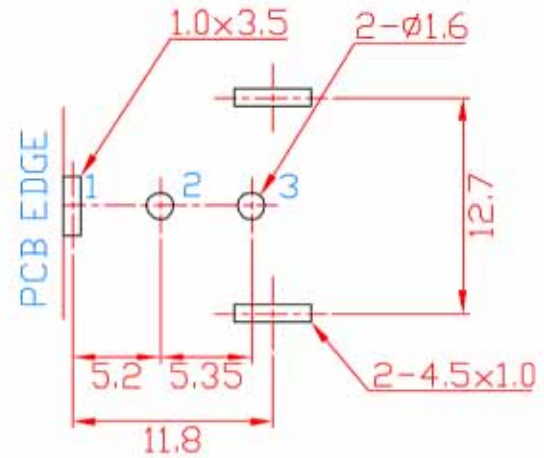


毅永企業有限公司 E-YUNG ENTERPRISE CO., LTD.



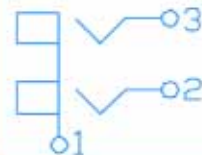
REV	ZONE	REVISION	DATE



PCB LAYOUT (BOTTOM VIEW)

NO.	NAME	MATERIAL	FINISH	Q'TY
1	BARREL	C.R.S. T:0.30	GOLD PLATED	2
2	INSERT RING	PBT G.F.	WHITE,RED	2
3	INSULATOR	PBT G.F.	WHITE	2
4	CENTER PIN	BRASS T:0.25	GOLD PLATED	2
5	FRAME	C.R.S. T:0.60	GOLD PLATED	1

SCHEMATIC



Specification:

Contact Resistance: 30m Ohm. Max. At AC 100mA Max.1KHz.

Insulation Resistance: 100M Ohm Min. At 500V DC.

Rated Voltage And Current: DC 12V,2A Max ; AC 100V,1A Max.

Dielectric Withstanding Voltage: 500VAC At 60Hz For 1 Minute.

Durability (Life Test): 4000 Cycles.

Insertion Force: 0.3-3.0 Kg.

Extraction Force: 0.3-3.0 Kg.