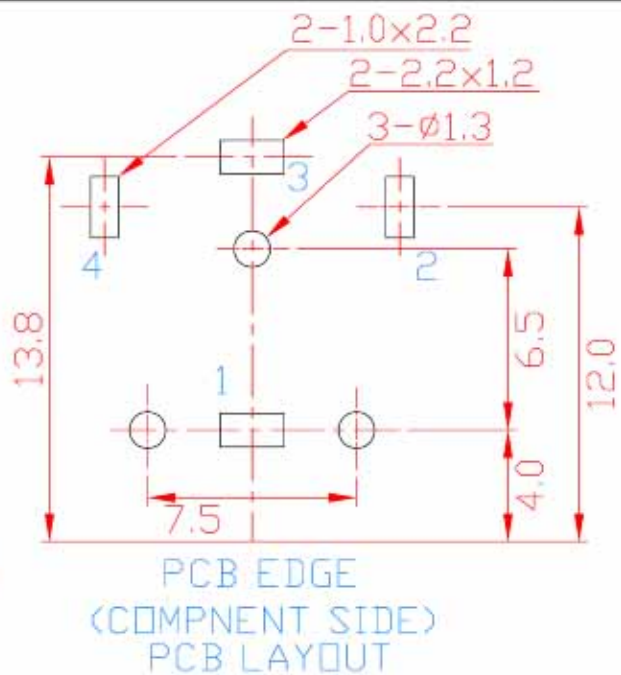
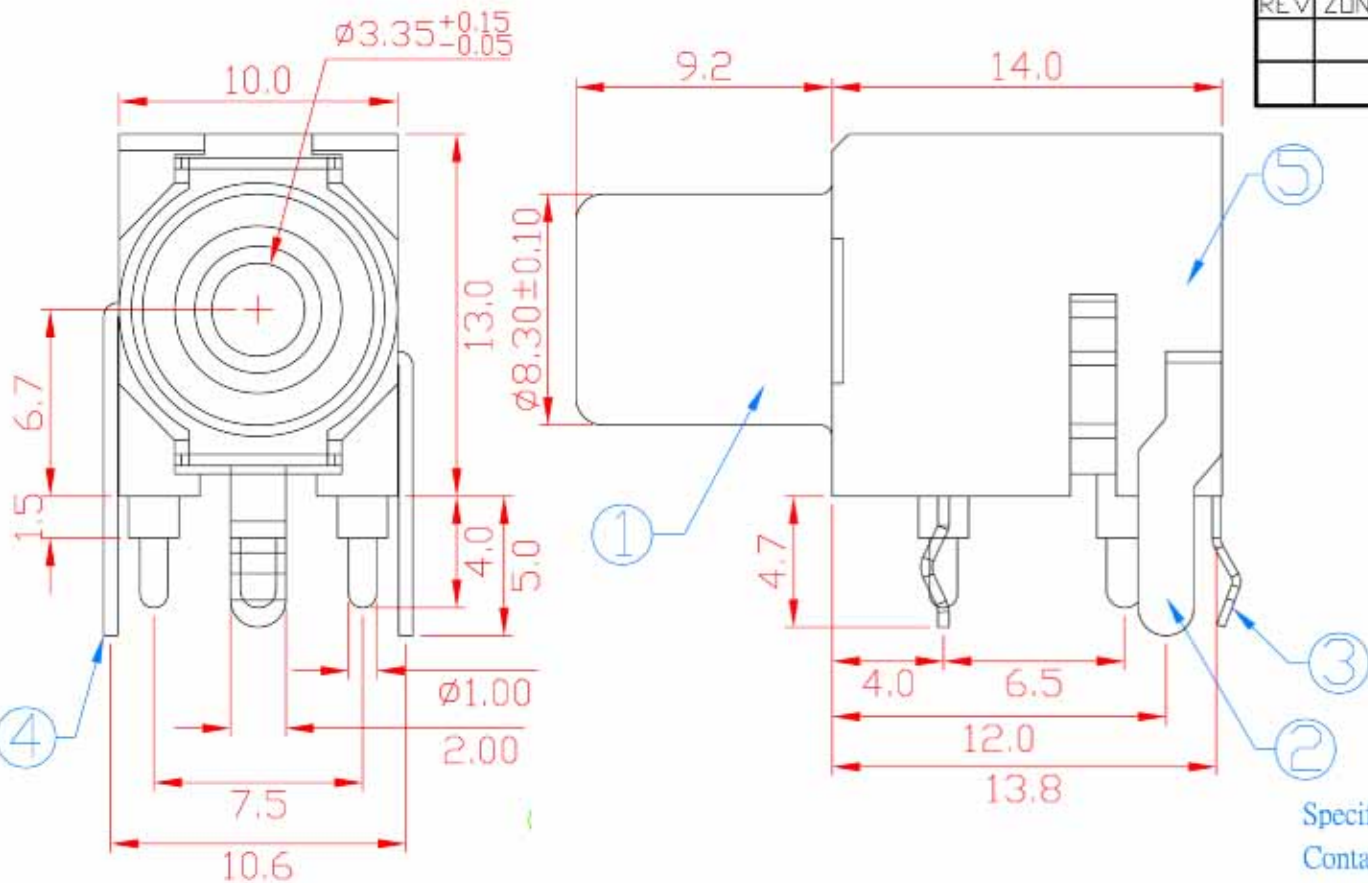


毅永企業有限公司 E-YUNG ENTERPRISE CO., LTD.

REV	ZONE	REVISION	DATE



Specification:
 Contact Resistance: 30m Ohm Max. At AC 100mA Max.1KHz.
 Insulation Resistance: 100M Ohm Min. At 500V DC.
 Rated Voltage And Current: DC 12V,2A Max.
 Dielectric Withstanding Voltage: 500VAC At 60Hz For 1 Minute.
 Durability (Life Test): 4000 Cycles.
 Insertion Force: 0.3~3.0 Kg.
 Extraction Force: 0.3~3.0 Kg.

NO.	NAME	MATERIAL	FINISH	Q/TY
1	BARREL	BRASS T:0.4	NICKEL PLATED	1
2	TERMINAL	BRASS T:0.5	TIN PLATED	1
3	SPRING TERM.	PHOS.BR.ZONE T:0.3	TIN PLATED	1
4	TERMINAL	BRASS T:0.5	TIN PLATED	1
5	HOUSING	PBT G.F.	W.R.Y.B.GR.BL.DR	1

