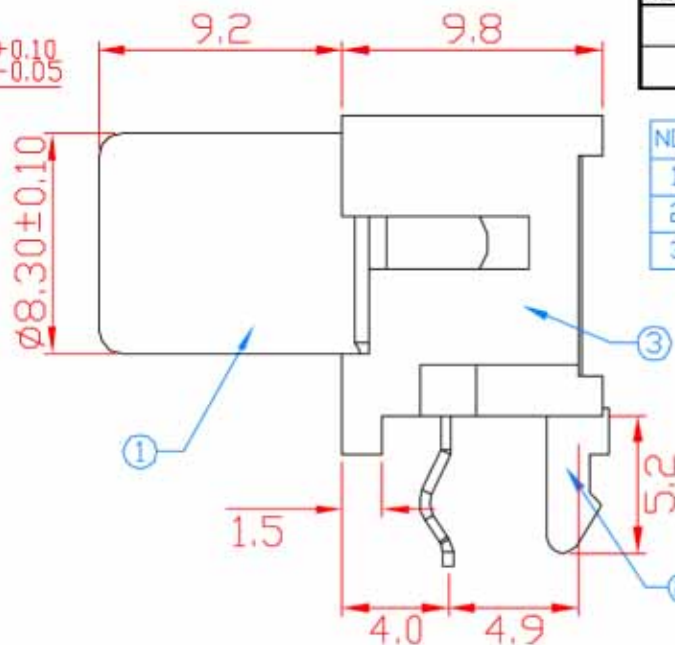
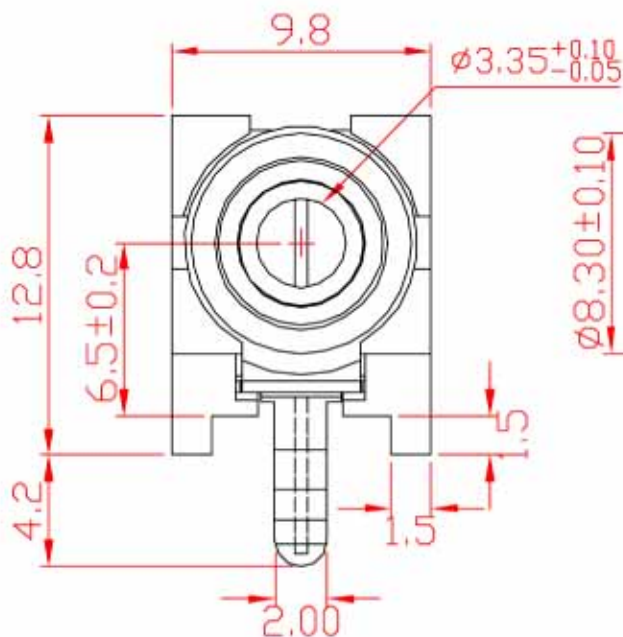


毅永企業有限公司 E-YUNG ENTERPRISE CO., LTD.



REV	ZONE	REVISION	DATE

NO.	NAME	MATERIAL	FINISH	Q'TY
1	HOUSING	PBT G.F.	W.R.Y.B.GR.BL.OR	1
2	BARREL	BRASS T:0.4	NICKEL PLATED	1
3	TERMINAL	BRASS T:0.5	TIN PLATED	1

Specification:

Contact Resistance: 30m Ohm Max. At AC 100mA Max.1KHz.

Insulation Resistance: 100M Ohm Min. At 500V DC.

Rated Voltage And Current: DC 12V,2A Max.

Dielectric Withstanding Voltage: 500VAC At 60Hz For 1 Minute.

Durability (Life Test): 4000 Cycles.

Insertion Force: 0.3-3.0 Kg.

Extraction Force: 0.3-3.0 Kg.

