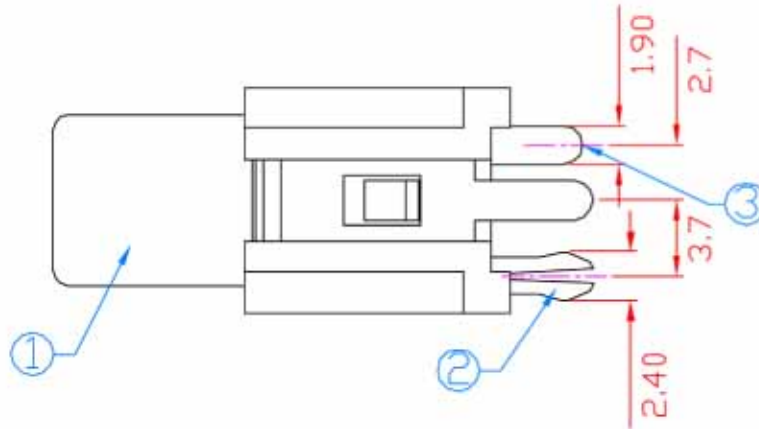
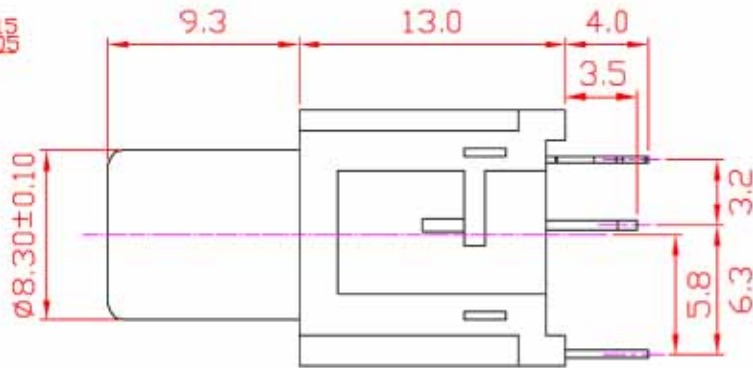
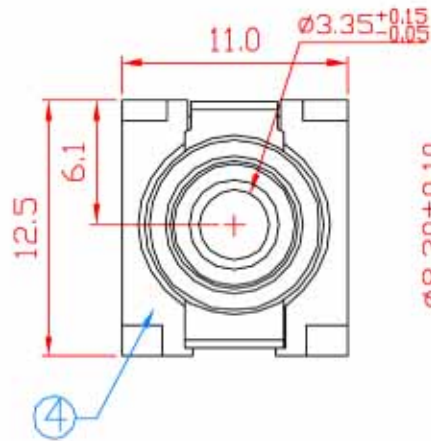
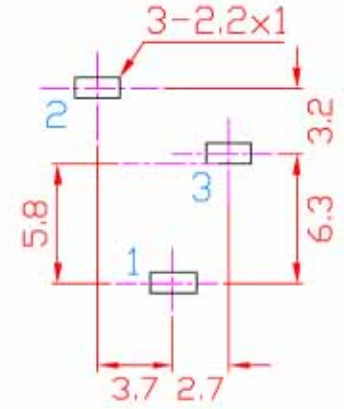


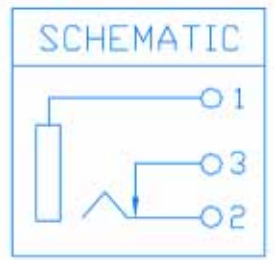
毅永企業有限公司 E-YUNG ENTERPRISE CO., LTD.



REV	ZONE	REVISION	DATE



PCB LAYOUT (TOP VIEW)



NO.	NAME	MATERIAL	FINISH	Q'TY
1	BARREL	BRASS 0.40	NICKEL PLATED	1
2	SPRING TERM.	PHOS.BRONZE 0.30	TIN PLATED	1
3	TERMINAL	BRASS 0.50	TIN PLATED	1
4	HOUSING	PBT G.F.	Y.W.R.B.BL.GR.DR	1

Specification:
 Contact Resistance: 30m Ohm. Max.At AC 100mA Max.1KHz
 Insulation Resistance: 100M Ohm Min. At 500V DC.
 Rated Voltage And Current: DC 12V,2A Max ; AC 100V,1A Max.
 Dielectric Withstanding Voltage: 500VAC At 60Hz For 1 Minute
 Durability (Life Test): 4000 Cycles
 Insertion Force: 0.3-3.0 Kg.
 Extraction Force: 0.3-3.0Kg.