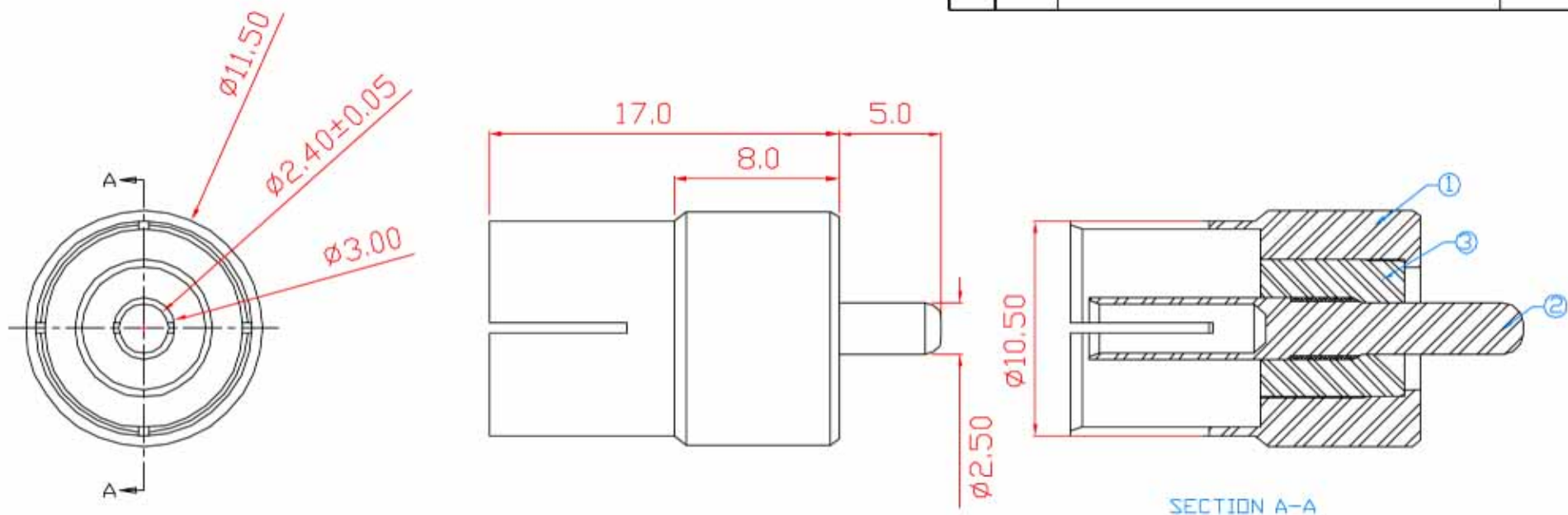


毅永企業有限公司 E-YUNG ENTERPRISE CO., LTD.

REV	ZONE	REVISION	DATE



Specification:

Contact Resistance: 50m Ohm Max.

Insulation Resistance: 500M Ohm Min. At 500V DC.

Dielectric Withstanding Voltage: 500VAC For 1 Minute.

Insertion Force: 4.0Kg \pm 2Kg.

Extraction Force: 4.0Kg \pm 2Kg.

NO.	NAME	MATERIAL	FINISH	Q'TY
1	SHELL	BRASS	NICKEL PLATED	1
2	CENTER PIN	BRASS	NICKEL PLATED	1
3	INSULATOR	TEFLON	WHITE	1