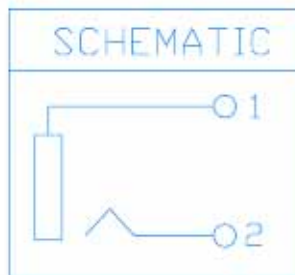
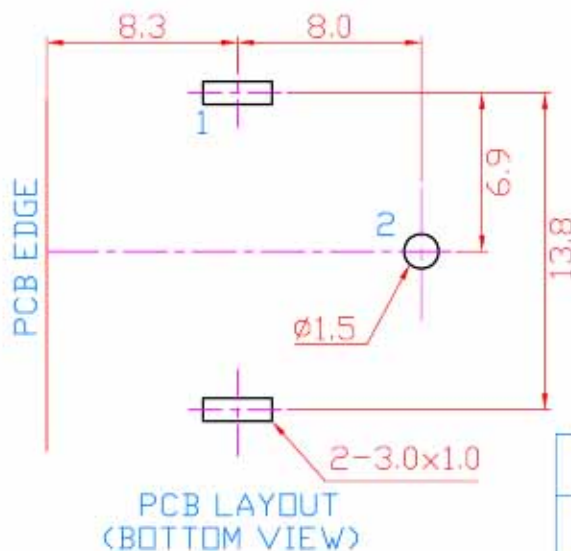
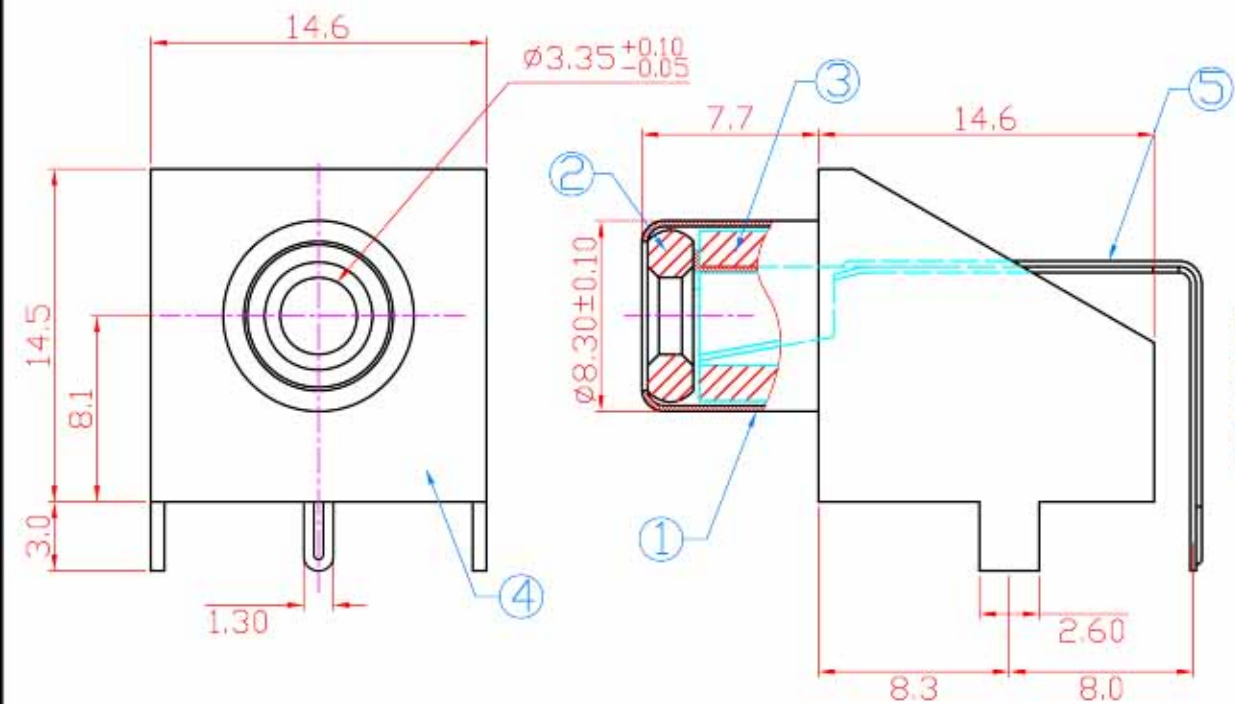


毅永企業有限公司 E-YUNG ENTERPRISE CO., LTD.

REV	ZONE	REVISION	DATE



NO.	NAME	MATERIAL	FINISH	Q'TY
1	BARREL	C.R.S 0.30	TIN PLATED	1
2	RING	PBT G.F.	YELLOW/WHITE/RED/BLACK/BLUE/GREEN/ORANGE	1
3	INSULATOR	PBT G.F.	WHITE	1
4	BRACKET	C.R.S 0.60	TIN PLATED	1
5	TERMINAL	BRASS 0.25	TIN PLATED	1

Specification:

Contact Resistance: 30m Ohm Max. At AC 100mA Max.1KHz.

Insulation Resistance: 100M Ohm Min. At 500V DC.

Rated Voltage And Current: DC 12V,2A Max.

Dielectric Withstanding Voltage: 500VAC At 60Hz For 1 Minute.

Durability (Life Test): 4000 Cycles.

Insertion Force: 0.3-3.0 Kg.

Extraction Force: 0.3-3.0 Kg.