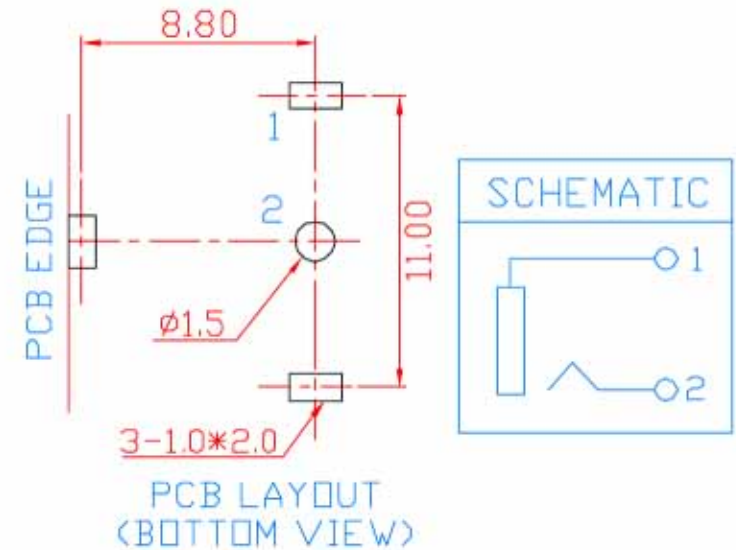
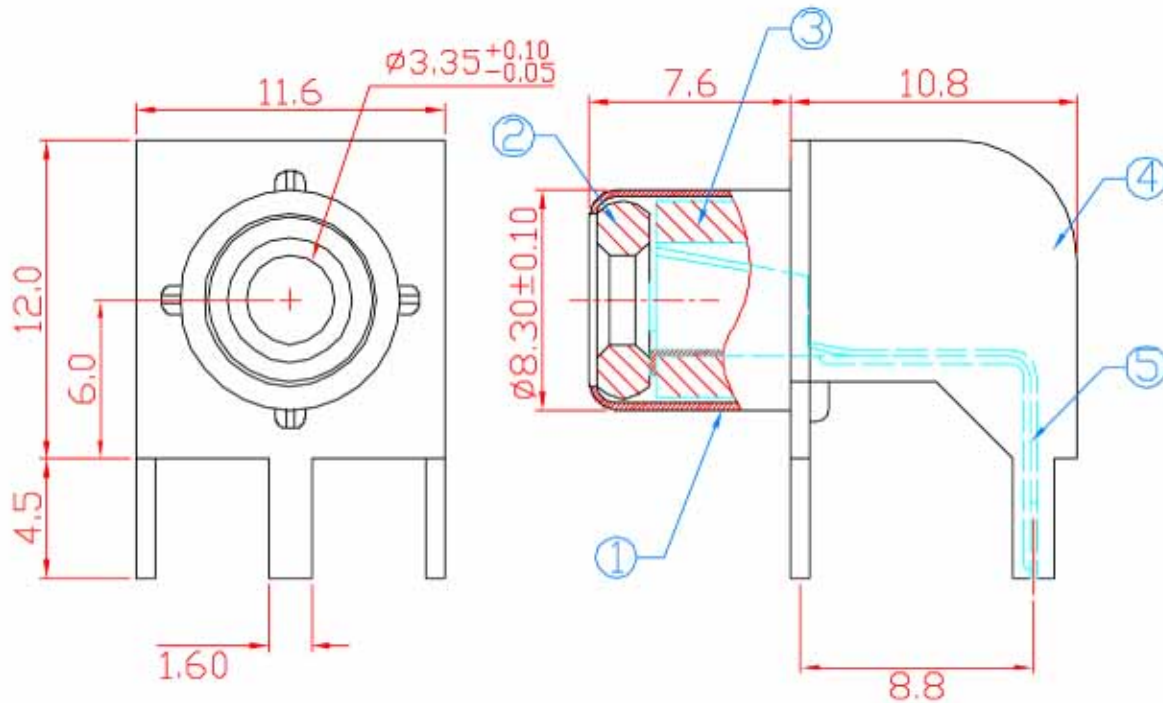


# 毅永企業有限公司 E-YUNG ENTERPRISE CO., LTD.

REV	ZONE	REVISION	DATE



NO.	NAME	MATERIAL	FINISH	Q'TY
1	BARREL	C.R.S T:0.30	TIN PLATED	1
2	RING	PBT G.F.	YELLOW/WHITE/RED/BLACK/BLUE/GREEN	1
3	INSULATOR	PBT G.F.	WHITE	1
4	BRACKET	C.R.S T:0.70	TIN PLATED	1
5	TERMINAL	BRASS T:0.25	TIN PLATED	1

## Specification:

Contact Resistance: 30m Ohm. Max. At AC 100mA Max.1KHz.  
 Insulation Resistance: 100M Ohm Min. At 500V DC.  
 Rated Voltage And Current: DC 12V,2A Max ; AC 100V,1A Max.  
 Dielectric Withstanding Voltage: 500VAC At 60Hz For 1 Minute.  
 Durability (Life Test): 4000 Cycles.  
 Insertion Force: 0.3~3.0 Kg.  
 Extraction Force: 0.3~3.0Kg.