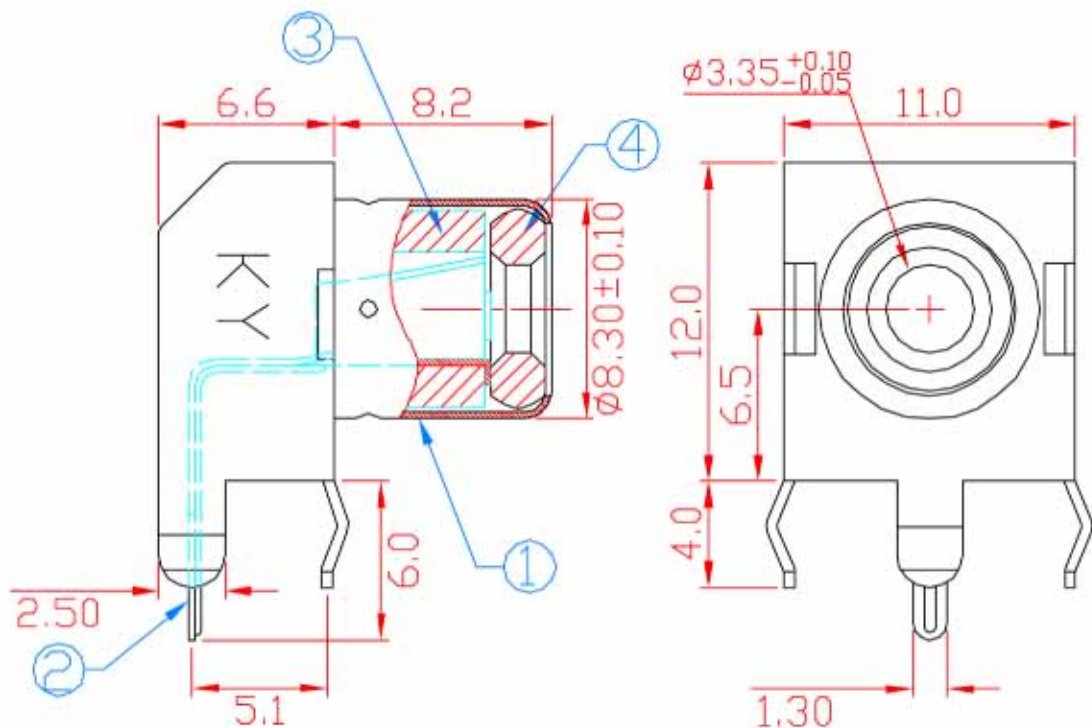
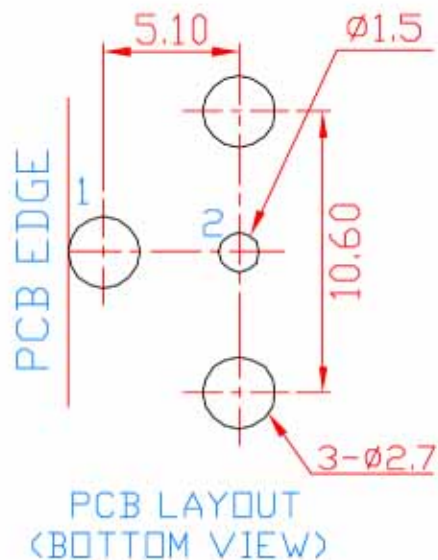


毅永企業有限公司 E-YUNG ENTERPRISE CO., LTD.



REV	ZONE	REVISION	DATE



NO.	NAME	MATERIAL	FINISH	Q'TY
1	BARREL	C.R.S T:0.3	NICKEL-PLATED	1
2	TERMINAL	BRASS T:0.25	TIN-PLATED	1
3	INSULATOR	PBT G.F.	WHITE	1
4	RING	PBT G.F.	YELLOW/WHITE/RED/BLACK/BLUE	1

Specification:

Contact Resistance: 30m Ohm. Max. At AC 100mA Max. 1KHz.

Insulation Resistance: 100M Ohm Min. At 500V DC.

Rated Voltage And Current: DC 12V, 2A Max ; AC 100V, 1A Max.

Dielectric Withstanding Voltage: 500VAC At 60Hz For 1 Minute.

Durability (Life Test): 4000 Cycles.

Insertion Force: 0.3~3.0 Kg.

Extraction Force: 0.3~3.0 Kg.