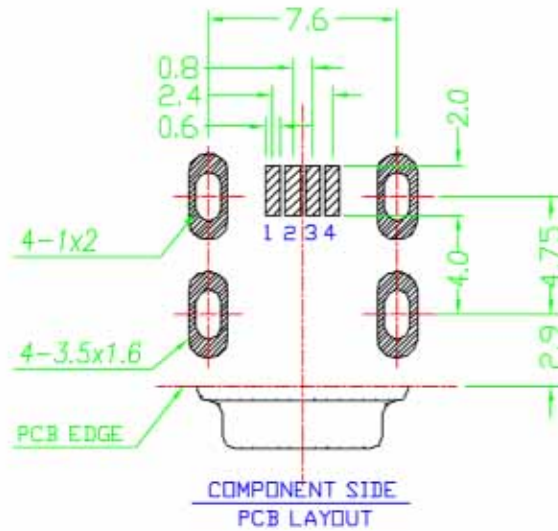
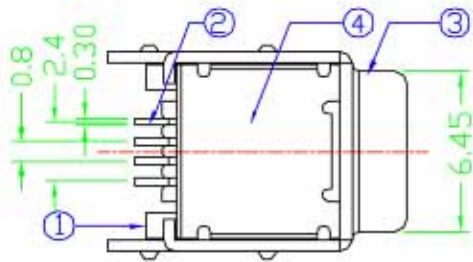


毅永企業有限公司 E-YUNG ENTERPRISE CO., LTD.

REV	ZONE	REVISION	DATE



Specification:

Contact Resistance: 50m Ohm Max.

Insulation Resistance: 100M Ohm Min.

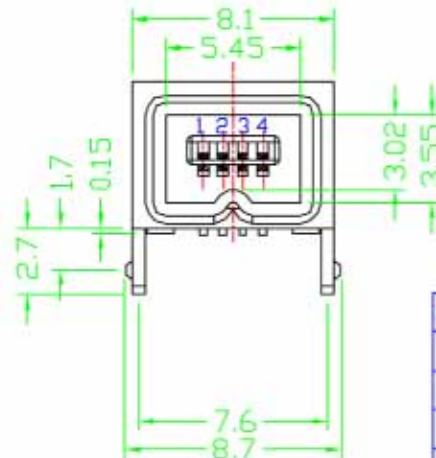
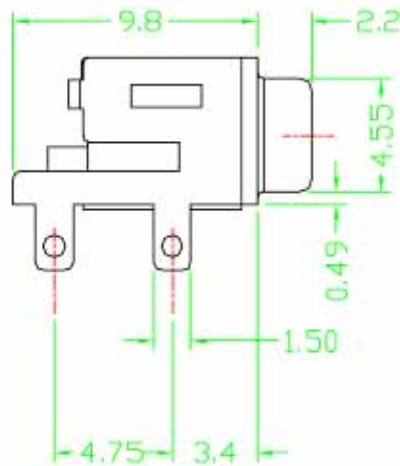
Voltage - Max;40V Maximum

Current - Max:1.5A Maximum.

Dielectric Withstanding Voltage: 100V AC for 1 Minute

Durability (Life Test): 1000 Cycles.

Unmating Force:4.9 Newton TO 39 Newton Maximum.



NO.	NAME	MATERIAL	FINISH	REMARK	Q'TY
1	HOUSING	NYLON PA9T GF	BLACK		1
2	PIN TERM.	PHOS. BRONZE $\pm 0.25\text{mm}$	GOLD-TIN PLATED	NI:40~60u"/Ti:10~20u", GOLD:30u"	4
3	FRONT SHELL	STEEL $\pm 0.5\text{mm}$	NICKEL PLATED	NI:80~120u"	1
4	REAR SHELL	PHOS. BRONZE $\pm 0.2\text{mm}$	NICKEL PLATED	NI:80~120u"	1