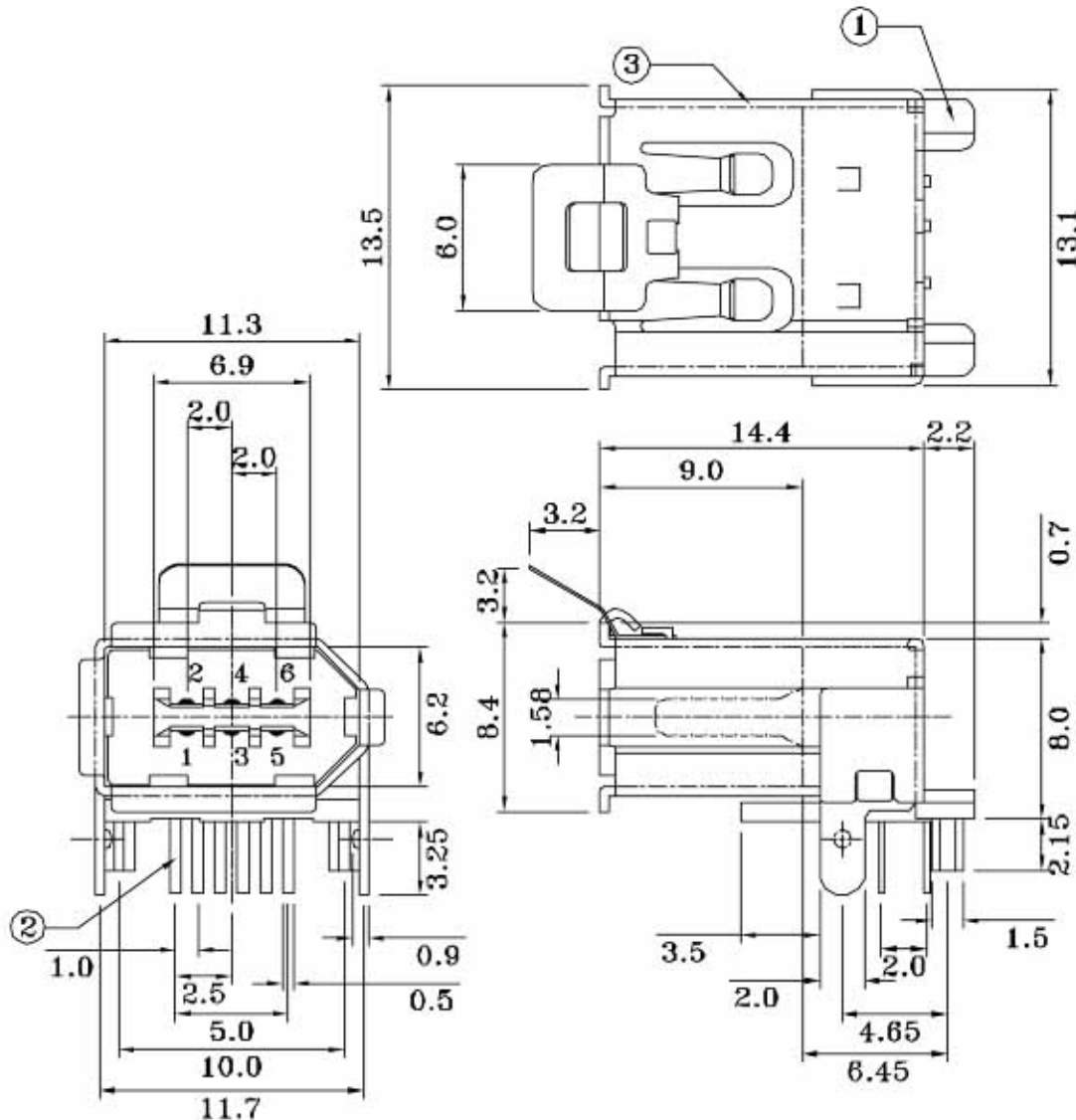


# 毅永企業有限公司 E-YUNG ENTERPRISE CO., LTD.



REV	ZONE	REVISION	DATE

NO.	NAME	MATERIAL	FINISH	REMARK	Q'TY
1	HOUSING	PBT G.F.	BLACK		1
2	PIN TERMINAL	BRASS; t:0.25	GOLD/TIN PLATED	6000000; 1000-0000; 000100000 (100% pure tin of lead free plating)	6
3	SHELL	BRASS; t:0.4	TIN PLATED	TIN:120~200u"	1
4	SPRING SHIELD	STAINLESS	T:0.1		1

