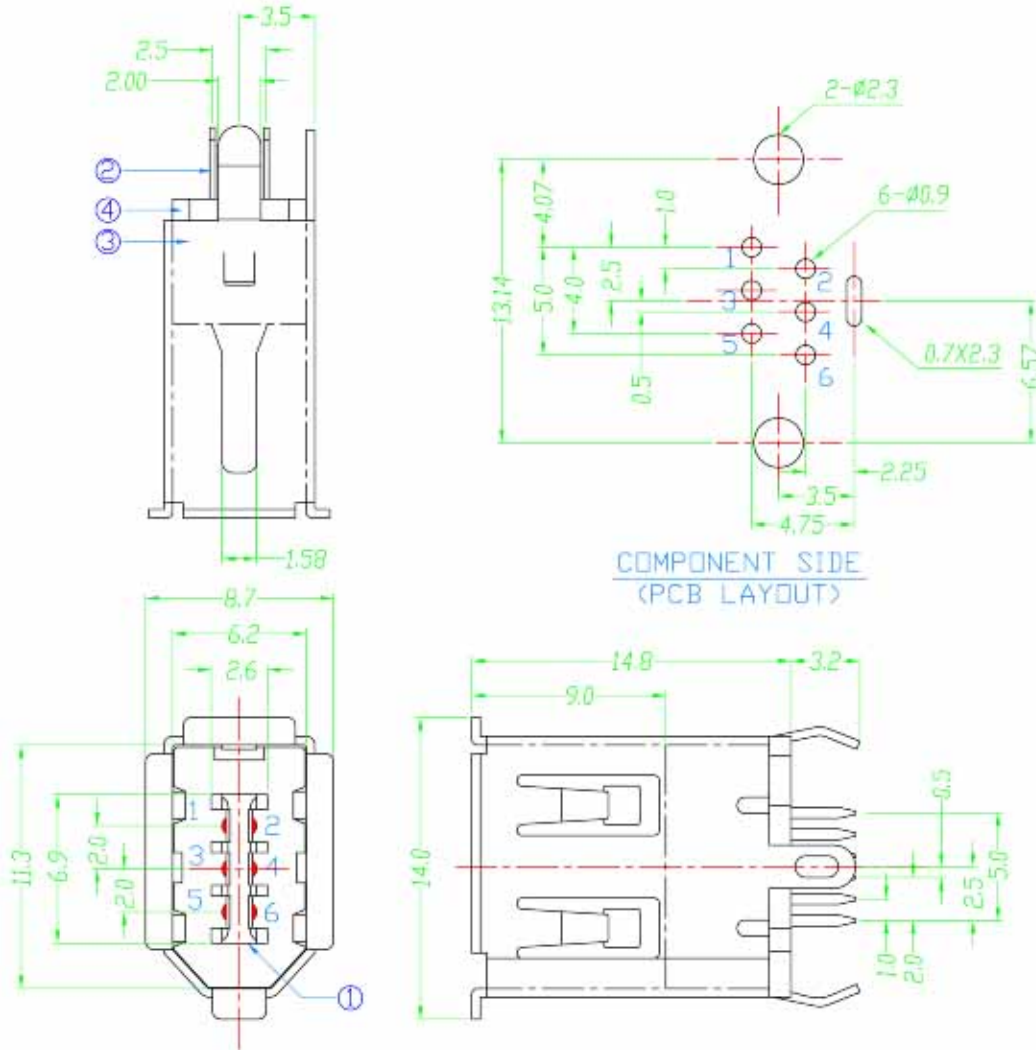


毅永企業有限公司 E-YUNG ENTERPRISE CO., LTD.

REV	ZONE	REVISION	DATE



Specification:

Contact Resistance: 30m Ohm Max.

Insulation Resistance: 100M Ohm Min.

Voltage - Max;40V Maximum

Current - Max:1.5A Maximum.

Dielectric Withstanding Voltage: 500V AC for 1 Minute.

Durability (Life Test): 1500 Cycles

Unmating Force:9.8 Newton TO 39.2 Newton Maximum.

NO.	NAME	MATERIAL	FINISH	REMARK	Q'TY
1	HOUSING	PBT G.F.	WHITE		1
2	PIN TERMINAL	BRASS; t0.25	GOLD/TIN PLATED	Gold:30u* Ni:10-60u* TiN:120u* (100% pure Tin of lead free plating)	6
3	SHELL	BRASS; t0.4	NICKEL PLATED	Ni:80~120u*	1
4	BOTTOM COVER	PBT G.F.	WHITE		1