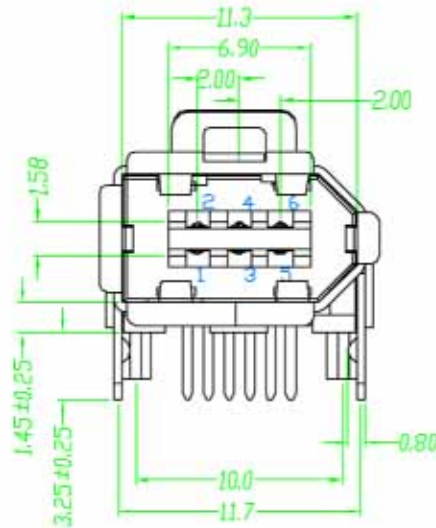
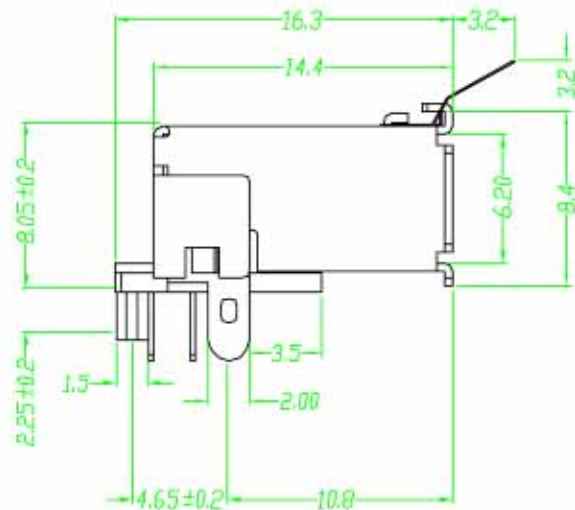
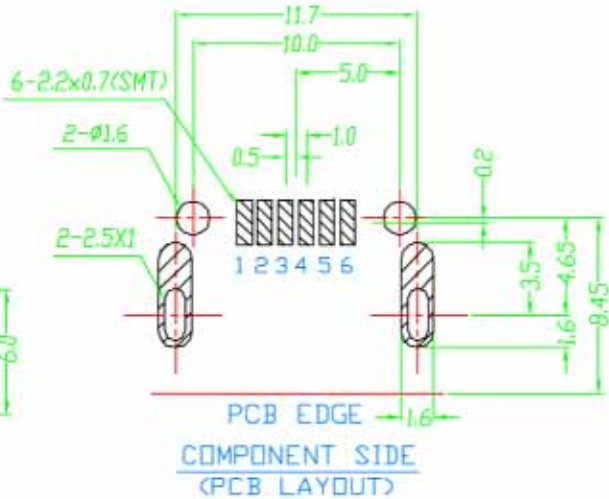
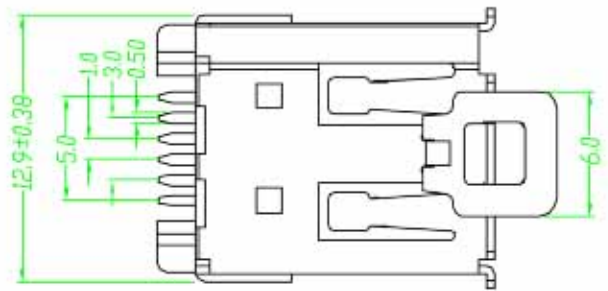


毅永企業有限公司 E-YUNG ENTERPRISE CO., LTD.

REV	ZONE	REVISION	DATE



Specification:

Contact Resistance: 30m Ohm Max.

Insulation Resistance: 100M Ohm Min.

Voltage - Max:40V Maximum

Current - Max:1.5A Maximum.

Dielectric Withstanding Voltage:

500V AC for 1 Minute

Durability (Life Test): 1500 Cycles

Unmating Force:9.8 Newton TO 39.2 Newton Maximum.

NO.	NAME	MATERIAL	FINISH	REMARK	Q'TY
1	HOUSING	NYLON PA9T G.F.	BLACK		1
2	PIN TERMINAL	BRASS) t0.25	GOLD/TIN PLATED	Gold30u" Ni40-60 u" TIN120u" (100% pure Tin of lead free plating)	6
3	SHELL	BRASS) t0.4	NICKEL PLATED	Ni80-120u"	1
4	SPRING SHIELD	STAINLESS t0.1			1