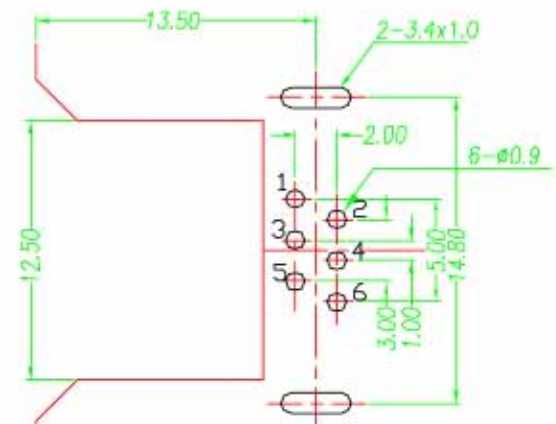
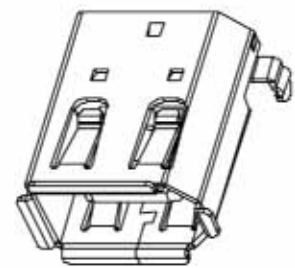
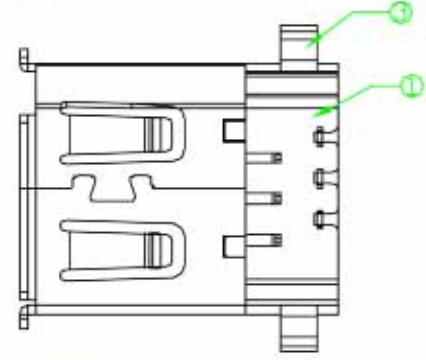
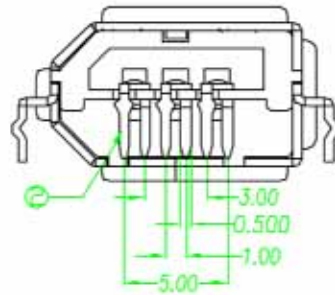
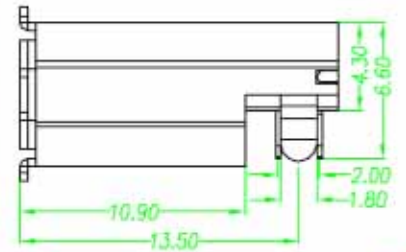
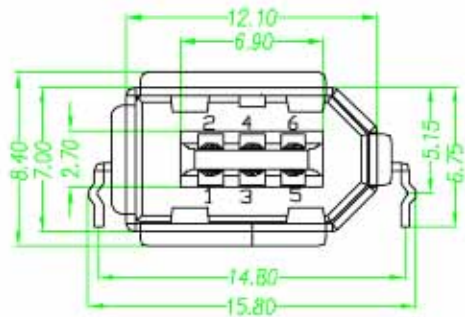


# 毅永企業有限公司 E-YUNG ENTERPRISE CO., LTD.

| REV | ZONE | REVISION | DATE |
|-----|------|----------|------|
|     |      |          |      |



COMPONENT SIDE  
(PCB LAYOUT)

**Specification:**

Contact Resistance: 30m Ohm Max.

Insulation Resistance: 100M Ohm Min.

Voltage - Max: 40V Maximum

Current - Max: 1.5A Maximum.

Dielectric Withstanding Voltage:

500V AC for 1 Minute

Durability (Life Test): 1500 Cycles

Unmating Force: 9.8 Newton To 39.2

Newton Maximum.

| NO. | NAME         | MATERIAL          | FINISH          | REMARK   | Q'TY |
|-----|--------------|-------------------|-----------------|--|------|
| 1   | HOUSING      | PBT G.F.          | BLACK           |  | 1    |
| 2   | PIN TERMINAL | BRASS; $\pm 0.25$ | GOLD/TIN PLATED | Gold:30u <sup>r</sup> ; NI:40~60u <sup>r</sup> ; TIN:120u <sup>r</sup><br>(100% pure Tin of lead Free plating) | 6    |
| 3   | SHELL        | BRASS; $\pm 0.4$  | NICKEL PLATED   | NI:80~120u <sup>r</sup>  | 1    |