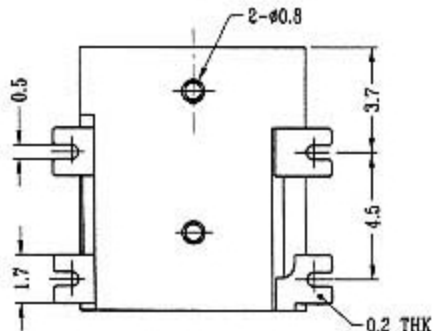
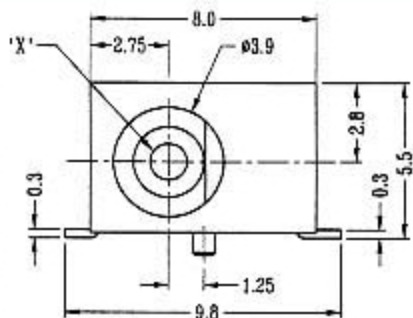
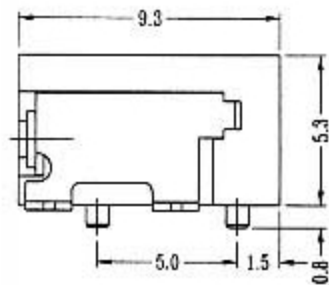


DS-420 SERIES

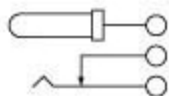
DIA. OF PIN "X" D=1.0MM

DIA. OF PIN "X" E=1.3MM



CIRCUIT DIAGRAM

SPECIFICATIONS



Rating: 0.3A 30V DC