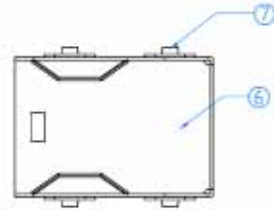


REV	ZONE	REVISION	DATE

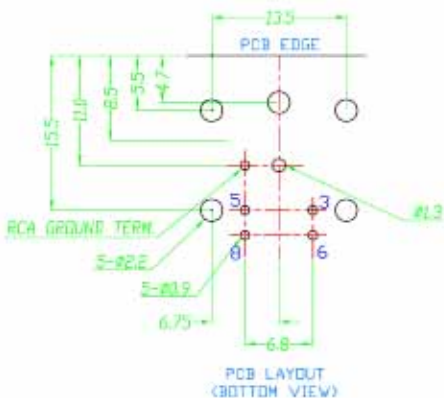
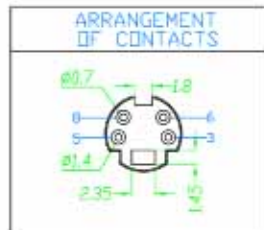
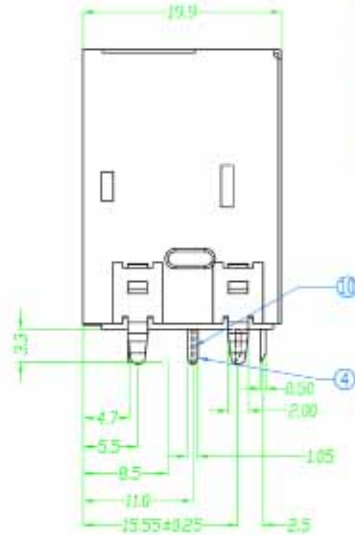
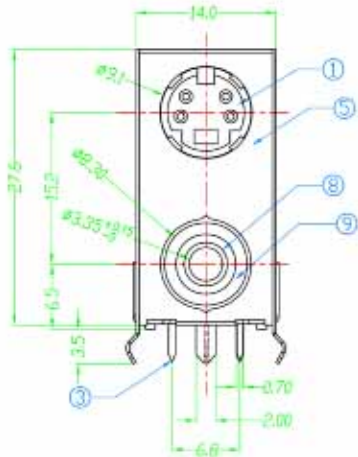


### Mini Din Specification:

Contact Resistance: 30m Ohm Max.  
 Insulation Resistance: 100M Ohm Min. AT 500V DC  
 Rated Voltage And Current: DC12V,2A Max; AC 100V,1A Max.  
 Dielectric Withstanding Voltage: 250V AC For 1 Minute.  
 Durability (Life Test): 100 Cycles.  
 Insertion Force: 4.0KG Maximum.  
 Extraction Force: 0.9KG Minimum.

### RCA Jack Specification:

Contact Resistance: 30m Ohm Max. At AC 100mA Max. 1KHz.  
 Insulation Resistance: 100M Ohm Min. At 500V DC.  
 Rated Voltage And Current: DC 12V,2A Max.  
 Dielectric Withstanding Voltage: 500VAC At 60Hz For 1 Minute.  
 Durability (Life Test): 4000 Cycles.  
 Insertion Force: 0.3~3.0 Kg.  
 Extraction Force: 0.3~3.0 Kg.



NO.	NAME	MATERIAL	FINISH	Q'TY	REMARK
1	HOUSING	PBT G.F.	BLACK	1	
2	BOTTOM COVER	PBT G.F.	BLACK	1	
3	MINI DIN TERM.	PHOS. BRONZE T=0.2	TIN/GOLD PLATED	4	Gold:1~3u*, Ni:40~60u*, TIN:120u* (100% pure Tin of lead free plating)
4	RCA TERM.	BRASS T=0.4	TIN PLATED	1	TIN:120~200u*
5	FRONT SHIELD	BRASS T=0.3	NICKEL PLATED	1	NI:80~120u*
6	BACK SHIELD	BRASS T=0.3	NICKEL PLATED	1	NI:80~120u*
7	TAB	BRASS T=0.3	TIN PLATED	4	TIN:120~200u*
8	INSERT RING	PBT G.F.	YELLOW	1	
9	RCA BARREL	BRASS	NICKEL PLATED	1	NI:80~120u*
10	RCA GROUND TERM.	BRASS T=0.3	TIN PLATED	1	TIN:120~200u*