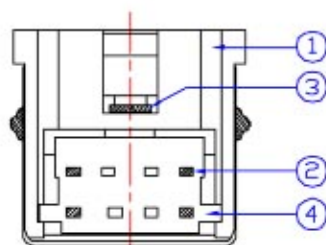
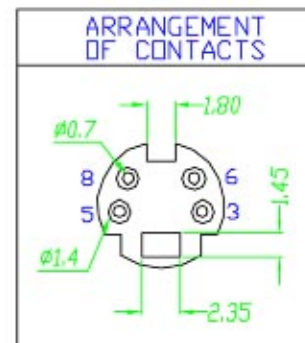
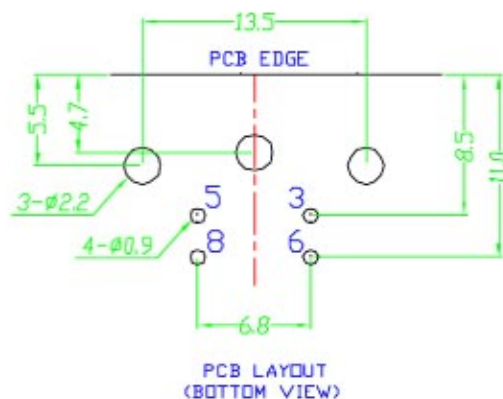
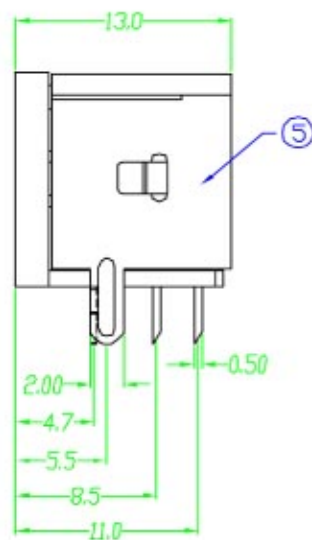
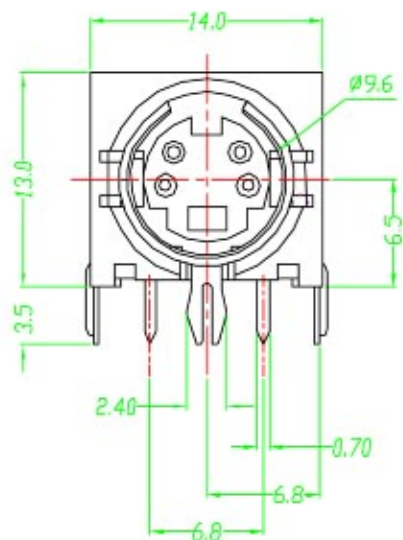


毅永企業有限公司 E-YUNG ENTERPRISE CO., LTD.

| REV | ZONE | REVISION | DATE |
|-----|------|----------|------|
| | | | |
| | | | |



Specification:

Contact Resistance: 30m Ohm Max.

Insulation Resistance: 100M Ohm Min. AT 500V DC

Rated Voltage And Current: DC 12V. 2A Max; AC 100V. 1A Max

Dielectric Withstanding Voltage: 250V AC For 1 Minute

Durability (Life Test): 100 Cycles

Insertion Force: 4.0KG Maximum.

Extraction Force: 0.9KG Minimum.

| NO. | NAME | MATERIAL | FINISH | Q'TY | REMARK |
|-----|---------------|--------------------|-----------------|------|---|
| 1 | HOUSING | PBT G.F. | BLACK | 1 | |
| 2 | CONTACT TERM. | PHOS. BRONZE T:0.2 | GOLD-TIN PLATED | 4 | Gold:1-3u'; Ni:40-60u'; TIN:120u' (100% pure Tin of lead free plating) |
| 3 | GROUND TERM. | BRASS T:0.4 | TIN PLATED | 1 | TIN:120~200u' |
| 4 | BOTTOM COVER | PBT G.F. | BLACK | 1 | |
| 5 | SHELL | SPCC, T:0.3 | NICKEL PLATED | 1 | NI:80~120u' |