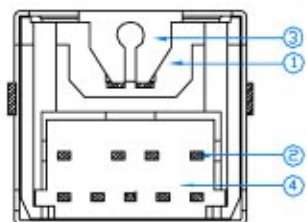
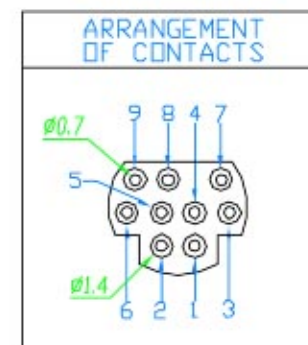
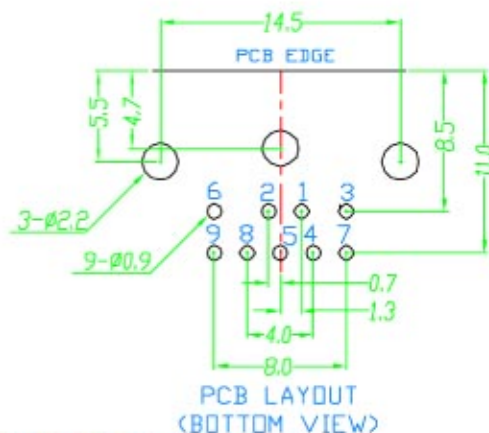
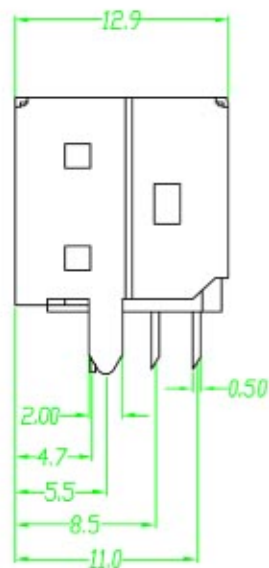
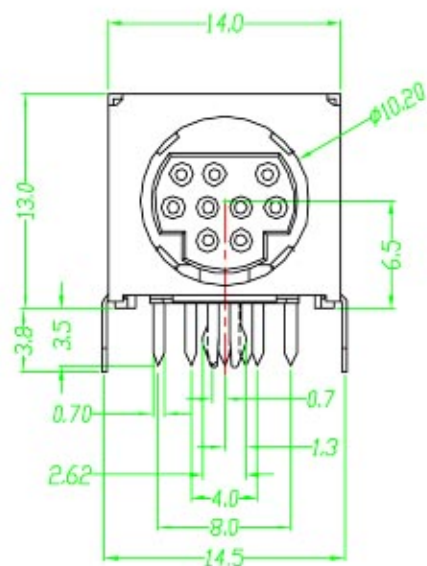


REV	ZONE	REVISION	DATE



### Specification:

Contact Resistance: 30m Ohm Max.

Insulation Resistance: 100M Ohm Min. AT 500V DC

Rated Voltage And Current: DC 12V.2A Max; AC 100V.1A Max

Dielectric Withstanding Voltage: 250V AC For 1 Minute

Durability (Life Test): 100 Cycles

Insertion Force: 4.0KG Maximum.

Extraction Force: 0.9KG Minimum.

NO.	NAME	MATERIAL	FINISH	Q'TY
1	HOUSING	PBT G.F.	BLACK	1
2	CONTACT	PHOS. BRONZE T:0.2	Gold(1~3u*) NI:40~60u* TIN:120u* (100% pure Tin of lead free plating)	9
3	SHIELD	BRASS T:0.3	TIN PLATED Sn:120~200u*	1
4	BOTTOM COVER	PBT G.F.	BLACK	1