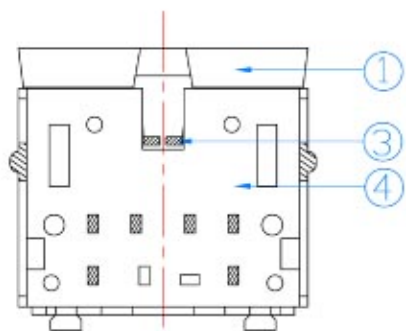
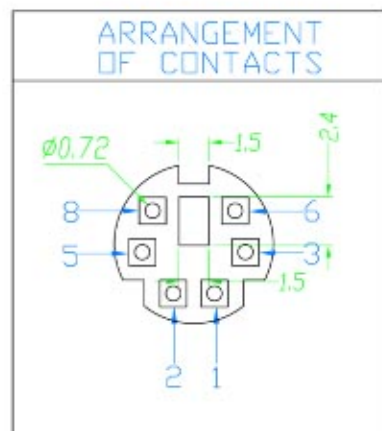
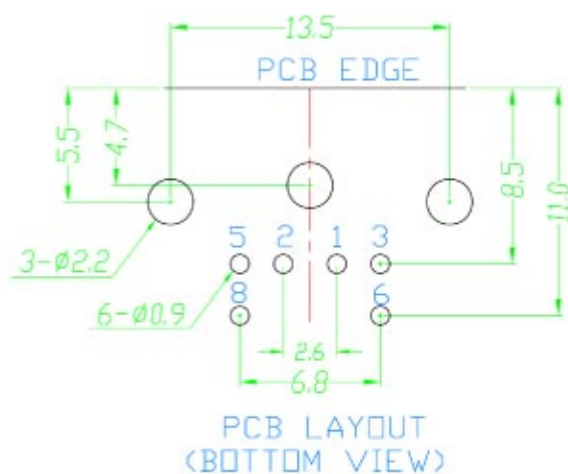
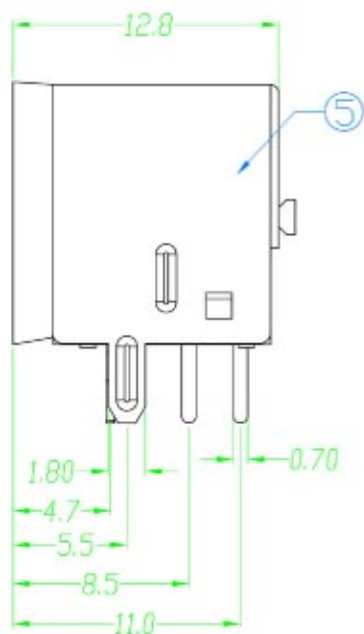
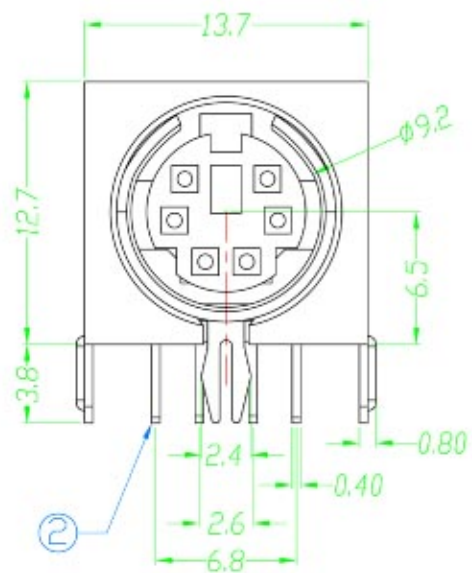


— 毅永企業有限公司 E-YUNG ENTERPRISE CO., LTD. —

REV	ZONE	REVISION	DATE



Specification:

Contact Resistance: 30m Ohm Max.

Insulation Resistance: 100M Ohm Min. AT 500V DC

Rated Voltage And Current: DC12V.2A Max; AC 100V.1A Max

Dielectric Withstanding Voltage: 250V AC For 1 Minute

Durability (Life Test): 100 Cycles

Insertion Force: 4.0KG Maximum.

Extraction Force: 0.9KG Minimum.

NO.	NAME	MATERIAL	FINISH	Q'TY
1	HOUSING	P.B.T. G.F.	BLACK	1
2	CONTACT	BRASS 0.4mm	TIN PLATED	6
3	GROUND	BRASS 0.4mm	TIN PLATED	1
4	BOTTOM COVER	P.B.T. G.F.	BLACK	1
5	SHIELD	SPCC 0.4mm	NICKEL PLATED	1