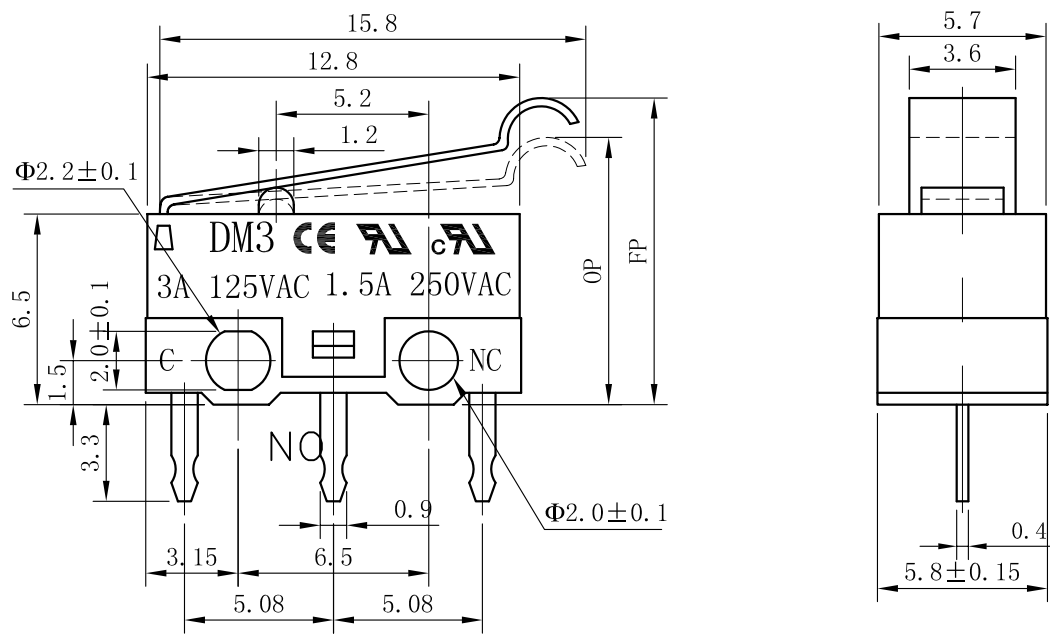


SWITCH TYPE	Micro Switches	MODEL NO.	DM3-43P-**
-------------	----------------	-----------	------------

<b>1. Functional spec.</b>			
1.1 Rated Voltage AC125V 3A/AC250V 1.5A		1.5 Free Position	12.0±0.8mm
		1.6 Operating Position	10.3±0.8mm
1.2 Contact Resistance	≤100mΩ(Initial value)	1.7 Position Travel	
1.3 Operating Force	( ** )gf	1.8 Return Force	≤5ms
1.4 Bounce Time		1.9	
<b>2. Reliable Rating</b>			
2.1 Mechanical Life	500,000 CYCLES	2.5 Soldering technics	Hand soldering
2.2 Electrical Life	10,000 CYCLES	2.6 Operating Temper	-25℃ - +75℃
2.3 Insulation Resistance	≥100MΩ DC500V(Initial value)	2.7 Ambient Humidity Used	<85%RH
2.4 Withstand Voltage	AC500V 1 minute(Initial value)	2.8	

**3. Dimension Drawing**



SCHEMATIC

