

SWITCH TYPE	Micro Switches	MODEL NO.	DM3-13P-**
-------------	----------------	-----------	------------

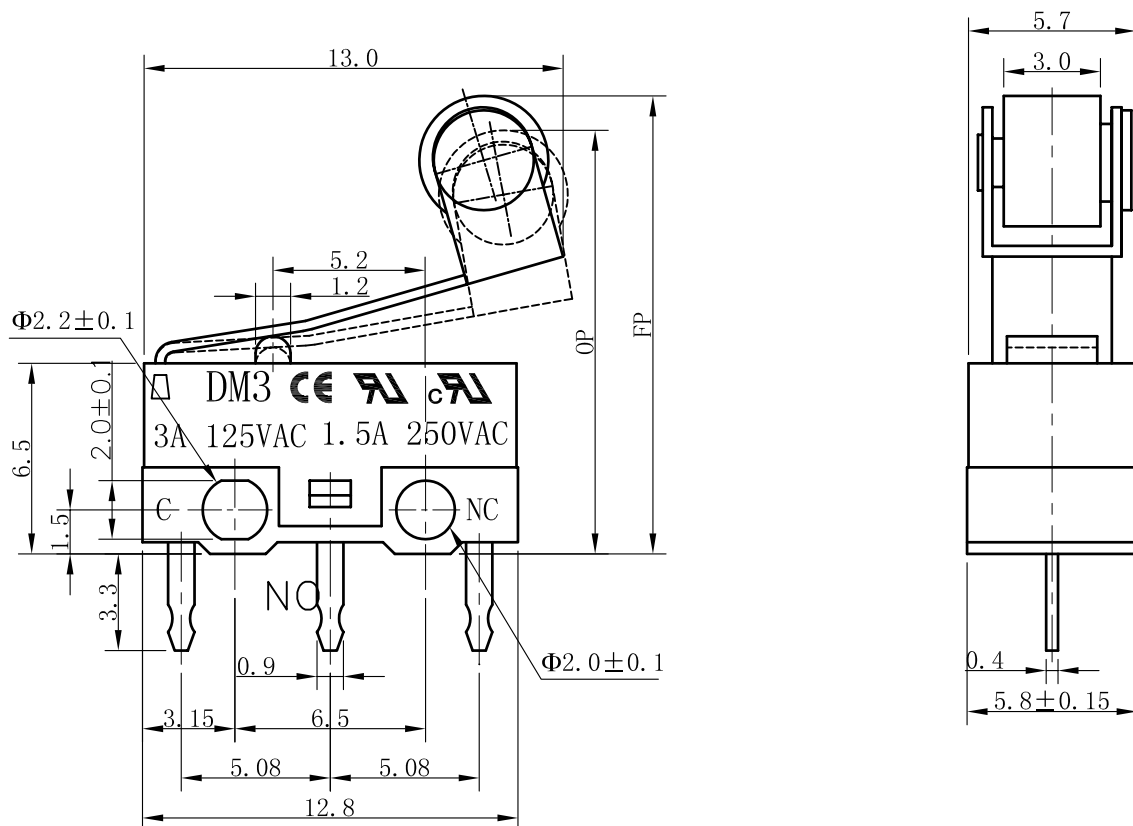
1. Functional spec.

1.1 Rated Voltage AC125V 3A/AC250V 1.5A	1.5 Free Position	14.8±0.5mm
	1.6 Operating Position	13.8±0.5mm
1.2 Contact Resistance ≤100mΩ (Initial value)	1.7 Position Travel	
1.3 Operating Force (**)gf	1.8 Return Force	≤5ms
1.4 Bounce Time	1.9	

2. Reliable Rating

2.1 Mechanical Life	500,000 CYCLES	2.5 Soldering technics	Hand soldering
2.2 Electrical Life	10,000 CYCLES	2.6 Operating Temper	-25°C - +75°C
2.3 Insulation Resistance	≥100MΩ DC500V (Initial value)	2.7 Ambient Humidity Used	<85%RH
2.4 Withstand Voltage	AC500V 1 minute (Initial value)	2.8	

3. Dimension Drawing



SCHEMATIC

