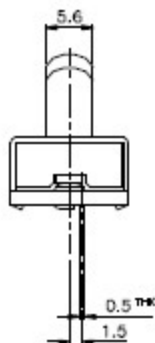
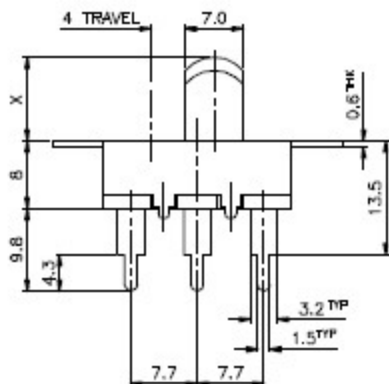
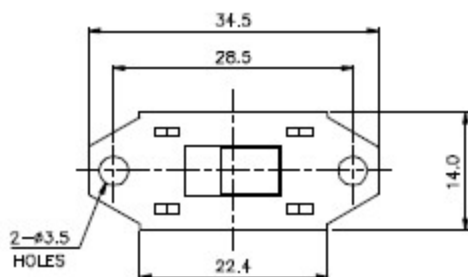


Non-shorting
SCHEMATIC



MARKING: SIDE A:

SIDE B: AC 125V 6A

X =

ISSUED	SPECIFICATION (INITIAL)	TITLE: SLIDE SWITCH 1P2T
	RATING: AC 125V 6A	MODEL NO: CLO4-SS12H02-G(H1)
	CONTACT RESISTANCE: Not more than 30mΩ	UNIT: mm DWG
	INSULATION RESISTANCE: 500MΩ AT 500V DC	SCALE: 2 : 1 CHK'D
	WITHSTAND VOLTAGE: AC 1000V FOR 1 MIN	TOLERANCE: ±0.20 APPD.
	OPERATION FORCE: 400 ± 200g	
	SWITCHING LIFE: 10,000 Cycles(6-10c/m loading)	
By:	毅永企業有限公司 E-YUNG ENTERPRISE CO., LTD.	DRAW NO:
DATE:		870209-03

The material contained in this drawing is the property of PIC. Any use other than that specifically authorized by PIC is prohibited. The above drawing is subjected to change for improvement without prior notice.

ENGF-51