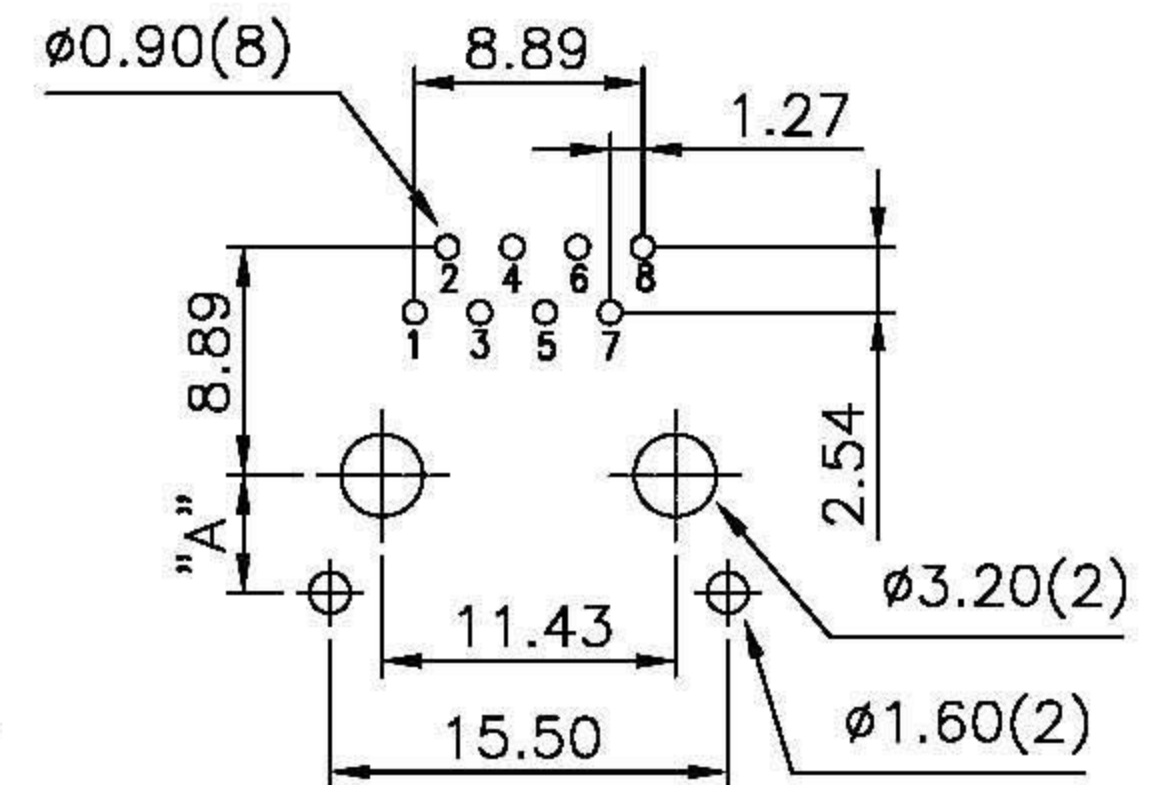
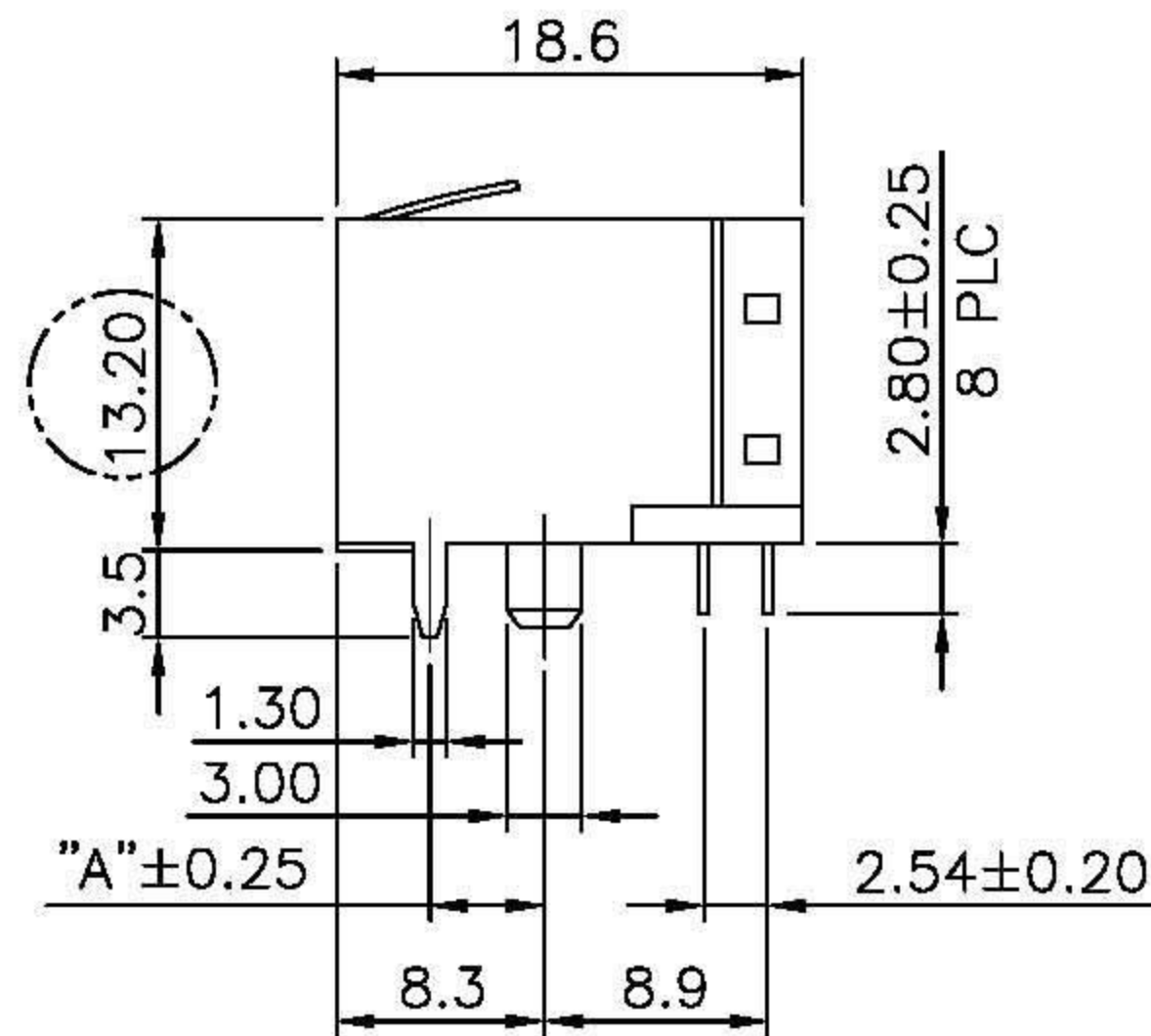
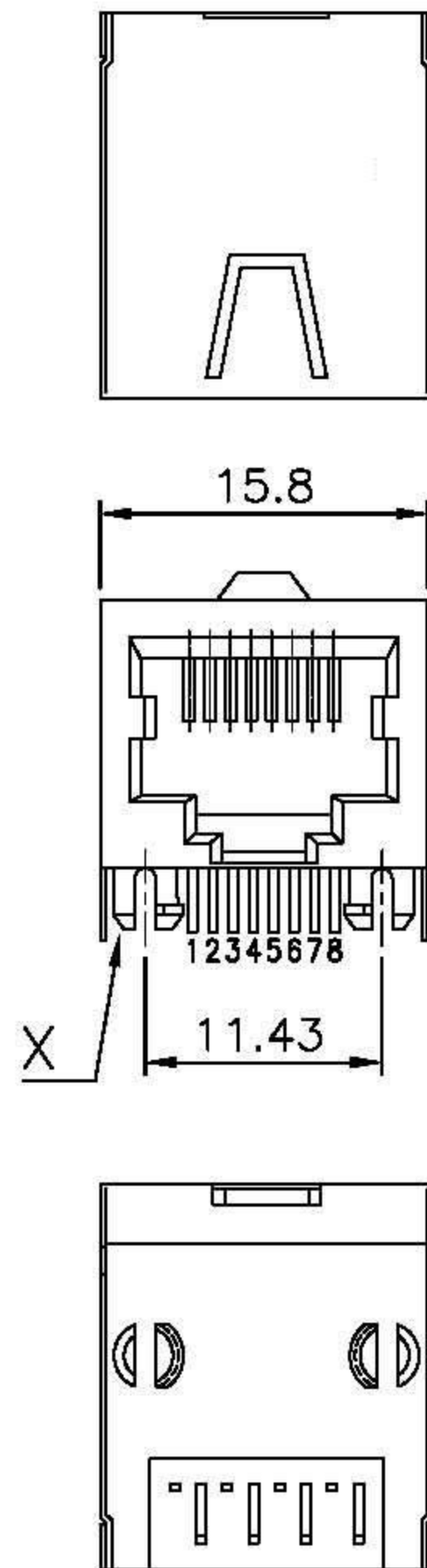


**DETAIL X**



**PCB LAYOUT**

Ref.

DO NOT SCALE DRAWING	TOLERANCES UNLESS OTHERWISE NOTED	INCH	MM	DR. <i>H.W.CHAN</i>	DATE OCT-11 '07	E-YUNG ENTERPRISE CO., LTD.	
THIRD ANGLE PROJECTION	LINEAR	MM INCH	00 ± 000 ± 0000 ±	0.0 ± 0.25 0.00 ± 0.20 0.000 ± 0.10	CK'D <i>M.CHANG</i>		
MM INCH	ANGLE ± 0° 30'	RADII	+ 0.40 - 0.15	APP'D <i>W.J.YANG</i>	OCT-12 '07	SCALE SIZE DWG.NO. 983702	REV. SHEET 5 1