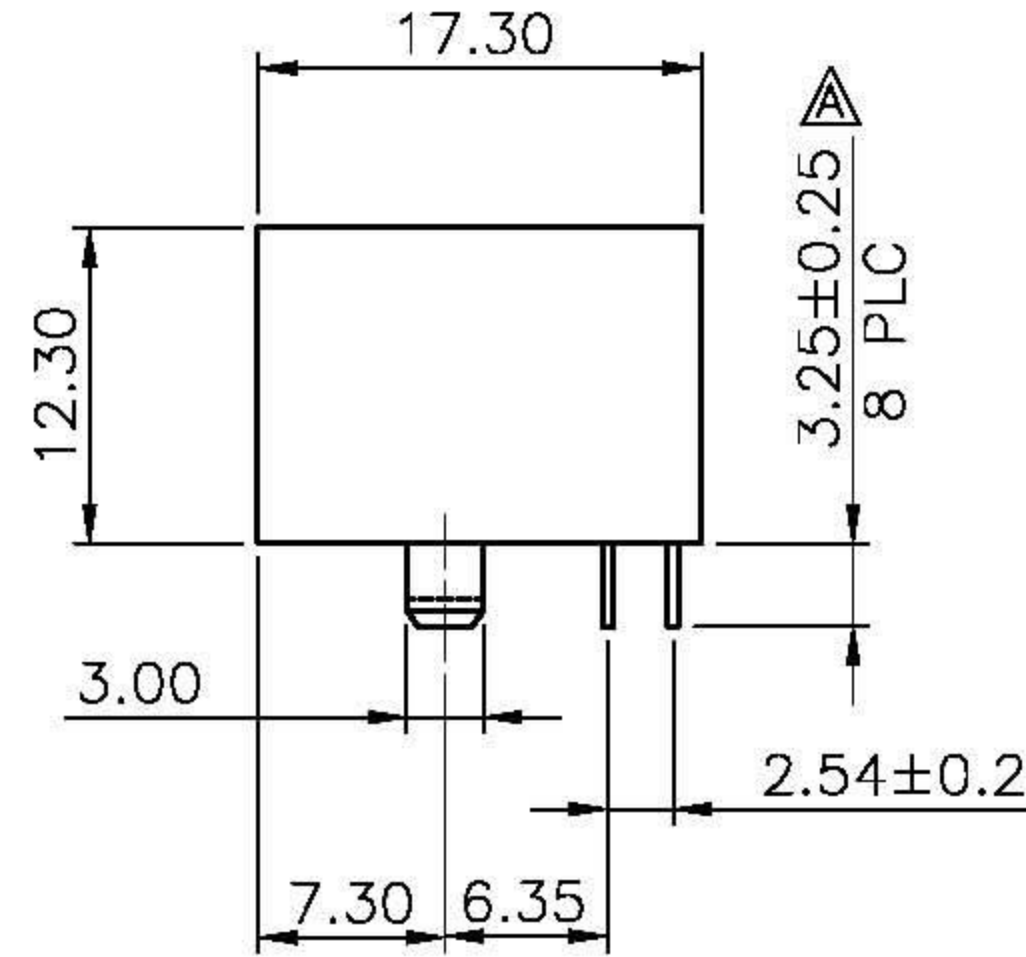
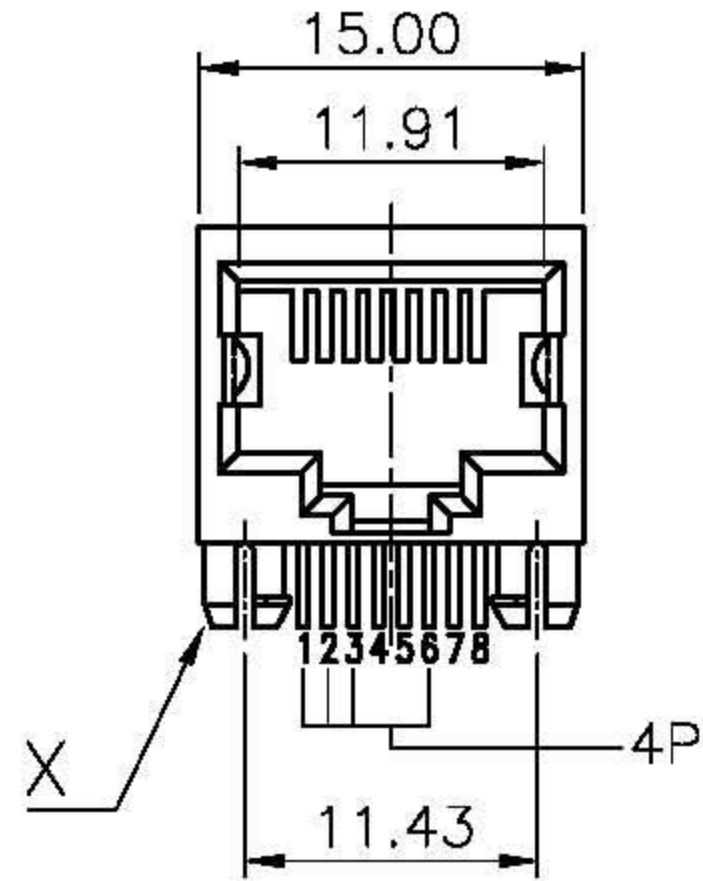
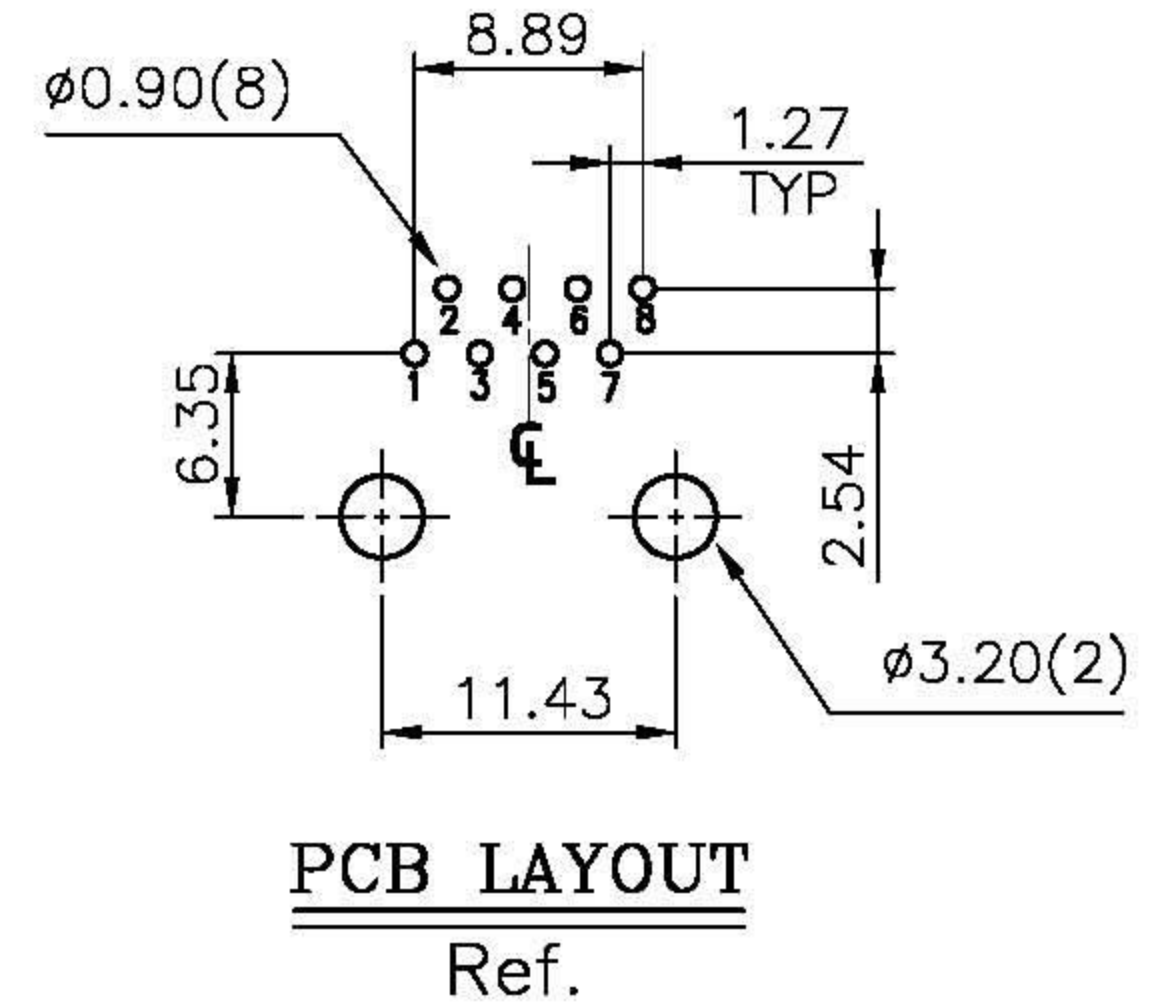
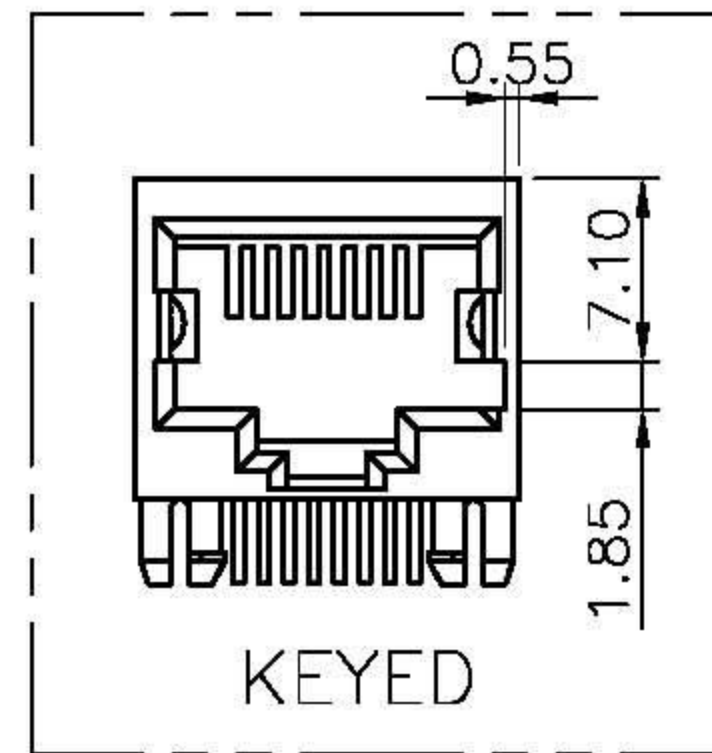
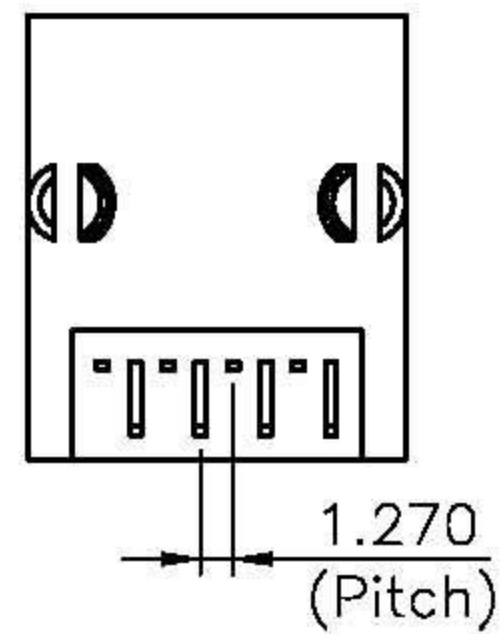
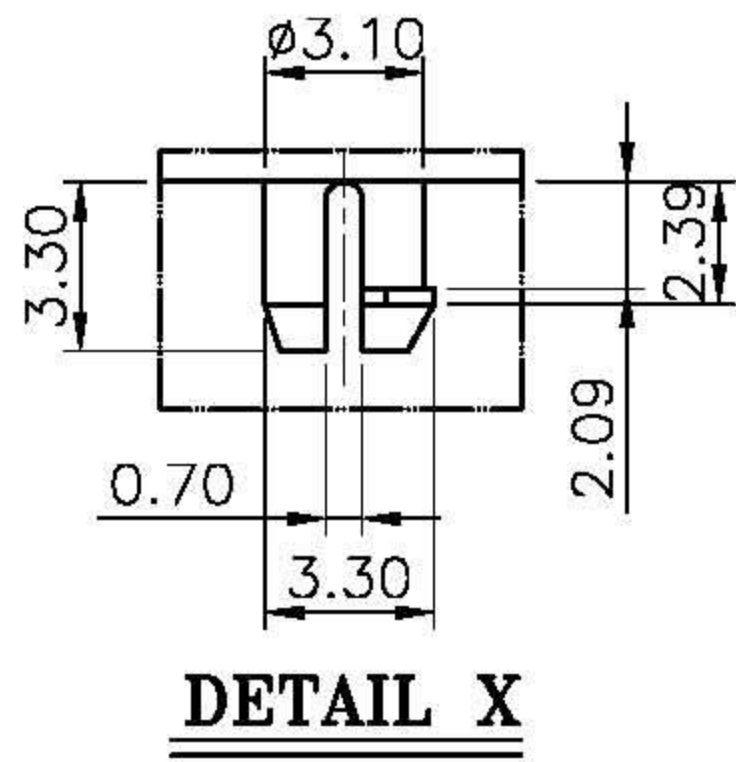


# RoHS Compliance



REVISIONS			
LTR	DESCRIPTION	DATE	APP
△	3.45±0.25	03/18/'08	CHANG



DO NOT SCALE DRAWING	TOLERANCES UNLESS OTHERWISE NOTED	INCH	MM	DR. <i>M.L.HUANG</i>	DATE MAR-17 '08
THIRD ANGLE PROJECTION	LINEAR	MM INCH	00± 000± 0000±	CK'D <i>M.CHANG</i>	MAR-17 '08
MM INCH	ANGLE ±0° 30'	RADII	+0.40 -0.15	APP'D <i>W.J.YANG</i>	MAR-18 '08

E-YUNG ENTERPRISE CO., LTD.					
TITLE RJ45, SHIELDLESS, LOW PROFILE, SIDE ENTRY PCB JACK					
SCALE	SIZE	DWG.NO.	REV.	SHEET	
		983701	3	1	