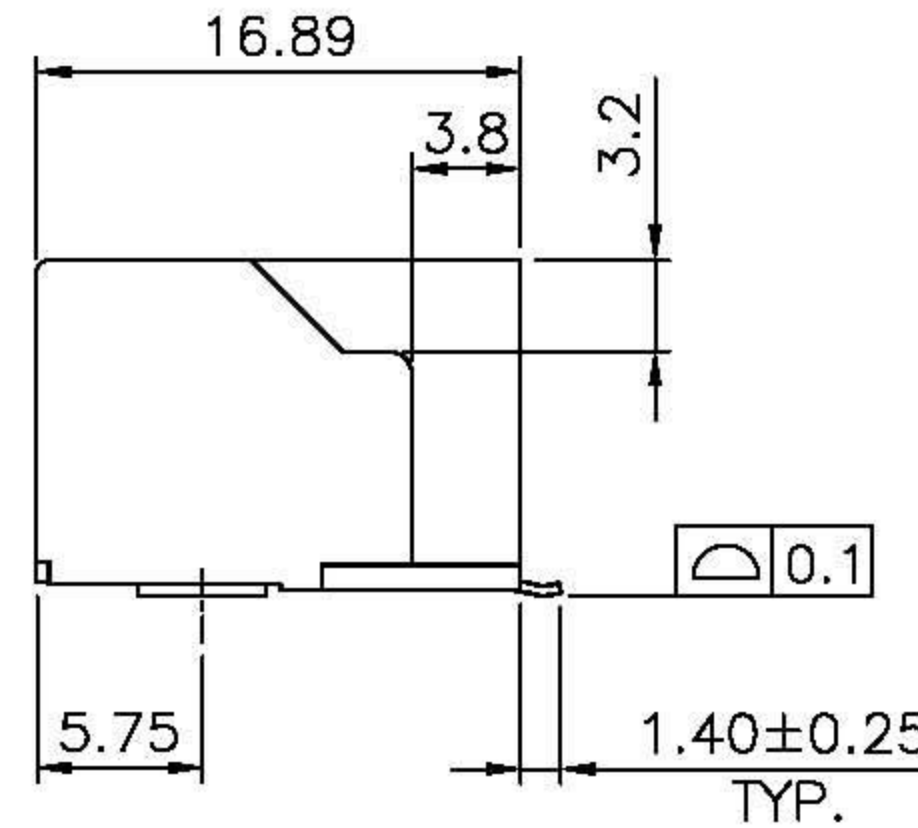
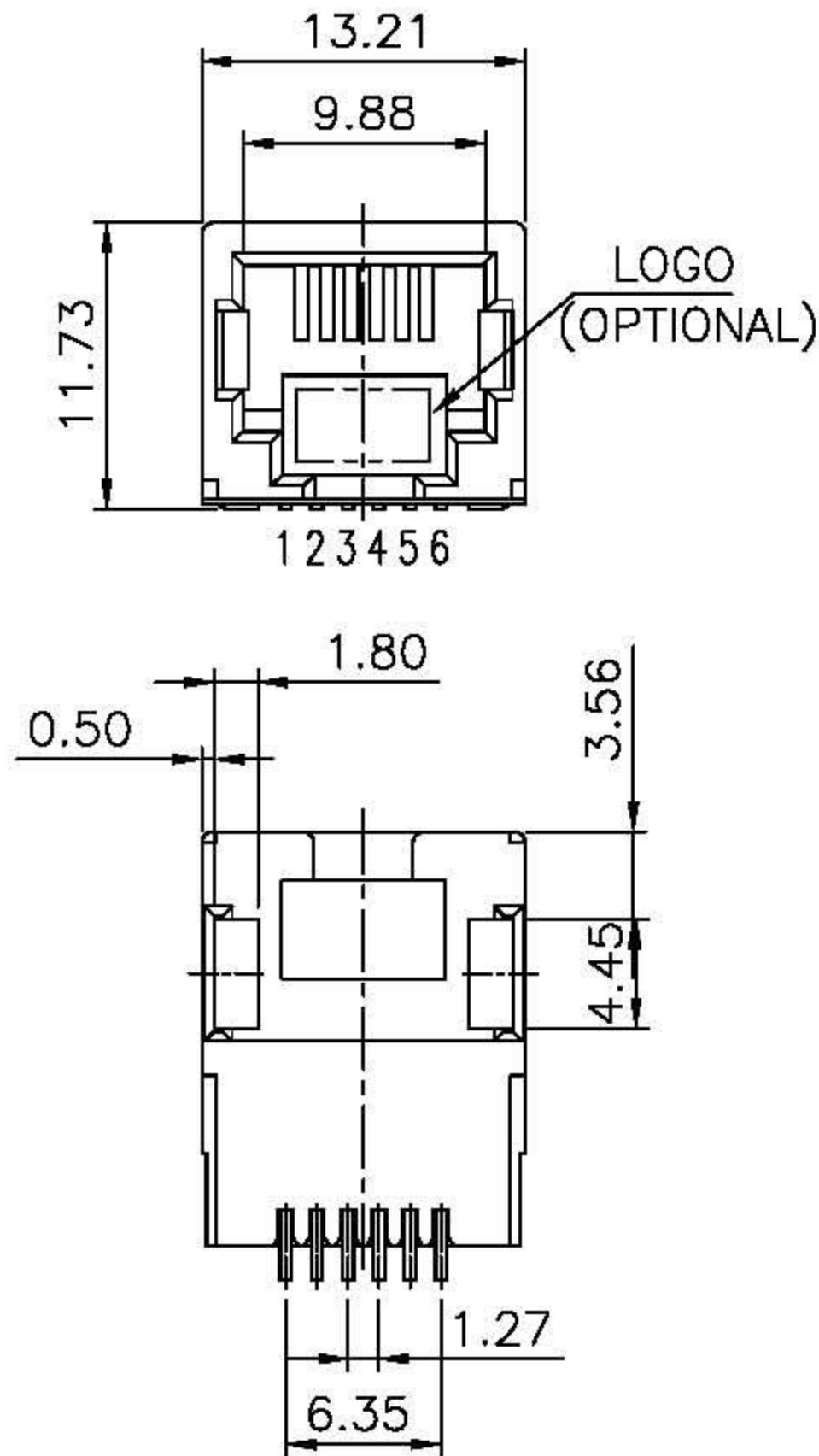
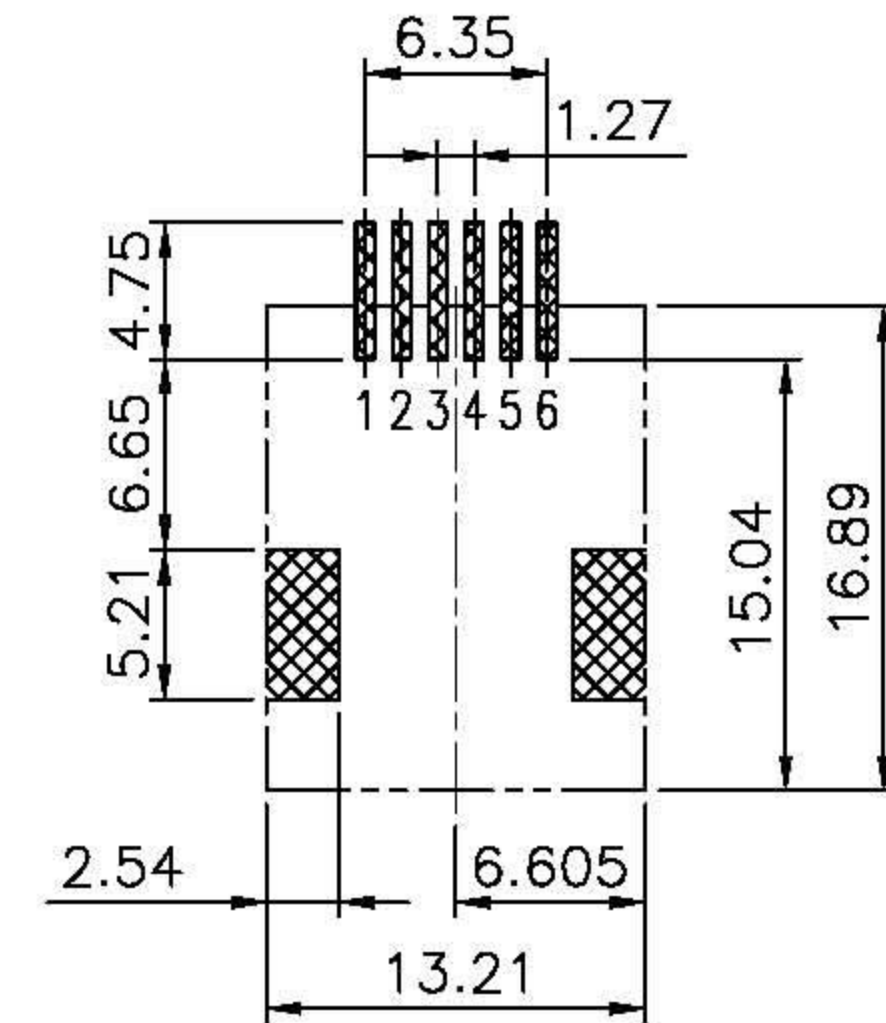


RoHS Compliance



COPLANARITY SPECIFICATION:
 WITH THE MODULAR JACK SITTING
 ON A LEVEL SURFACE.
 THE MAXIMUM GAP BETWEEN
 THE LEVEL SURFACE AND ALL
 TERMINAL TAILS AND BOTH FITTING
 NAILS IS 0.10m/m



PCB LAYOUT
 Ref.

E-YUNG ENTERPRISE CO., LTD.

DO NOT SCALE
 DRAWING

TOLERANCES UNLESS
 OTHERWISE NOTED

INCH

MM

DR.
CIAN.CI.LUO

DATE
 DEC-29 '08

THIRD ANGLE PROJECTION

LINEAR $\frac{\text{MM}}{\text{INCH}}$

$00 \pm .01$
 $000 \pm .005$
 $0000 \pm .002$

0.0 ± 0.25
 0.00 ± 0.13
 0.000 ± 0.05

CK'D
M.CHANG

DATE
 DEC-29 '08

TITLE
 RJ11, SMT TYPE, SHIELDLESS
 SIDE ENTRY PCB JACK

MM
 INCH

ANGLE $\pm 0^{\circ} 30'$

RADII

$+ 0.40$
 $- 0.15$

APP'D
W.J.YANG

DATE
 DEC-30 '08

SCALE SIZE DWG.NO.
 982501

REV. SHEET
 7 1