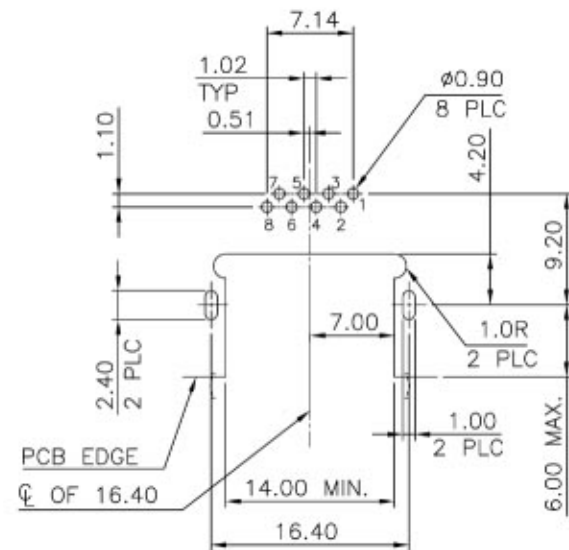
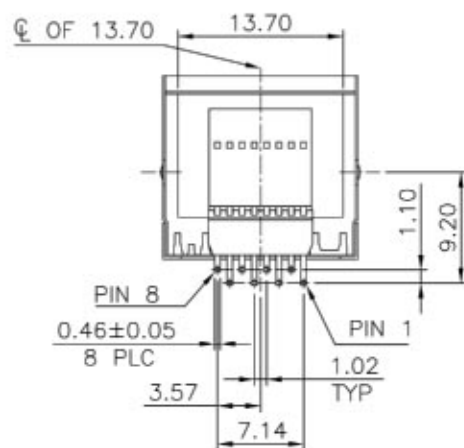
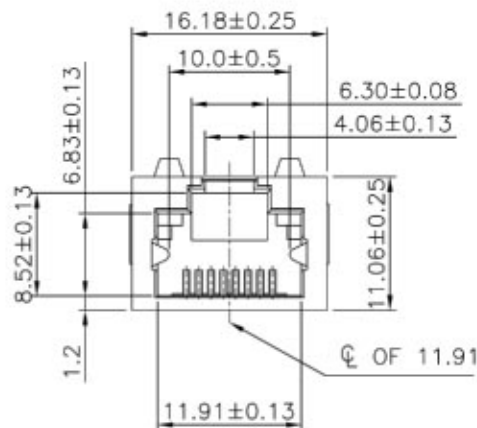
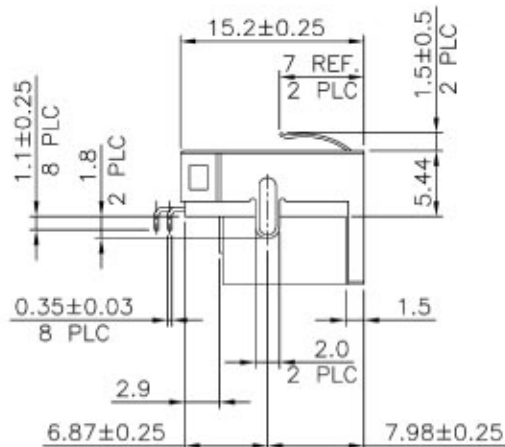
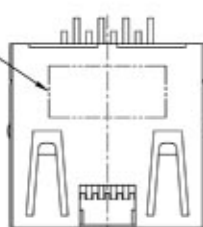


RoHS Compliance

LOGO &
DATE CODE
(OPTIONAL)



RECOMMENDED PCB LAYOUT
RECOMMENDED PCB THICKNESS: 0.8mm.
TOLERANCE: ±0.05 (TOP VIEW)

DO NOT SCALE DRAWING	TOLERANCES UNLESS OTHERWISE NOTED	INCH	MM	DR. <i>M.L.HUANG</i>	DATE DEC-15 '09
THIRD ANGLE PROJECTION	LINEAR MM INCH	00 ± 000 ± 0000 ±	0.0 ± 0.25 0.00 ± 0.13 0.000 ± 0.05	CK'D <i>M.CHANG</i>	DEC-15 '09
MM INCH	ANGLE ± 0° 30'	RADII	+ 0.40 - 0.15	APP'D <i>W.J.YANG</i>	DEC-16 '09

E-YUNG ENTERPRISE CO., LTD.					
TITLE		MODULAR JACK, RJ45, WITHOUT LED, DIP TYPE.			
SCALE	SIZE	DWG.NO.	REV.	SHEET	
		982210	1	1	