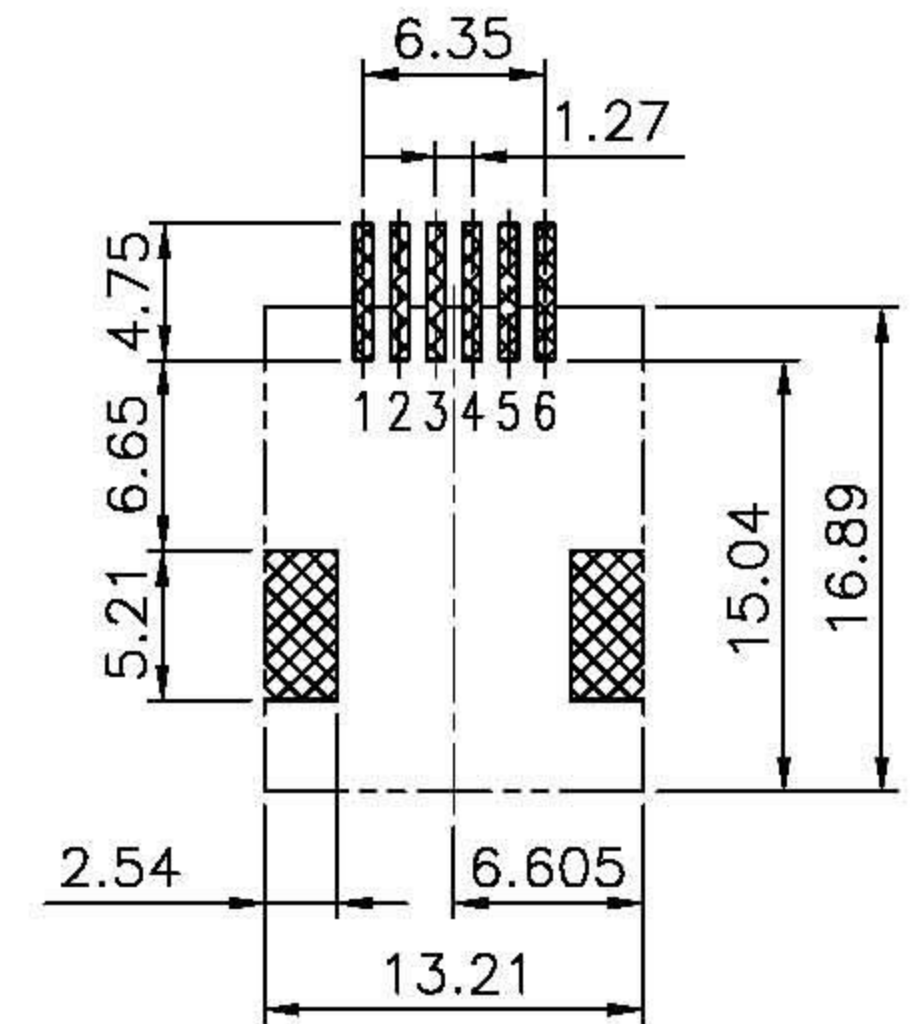
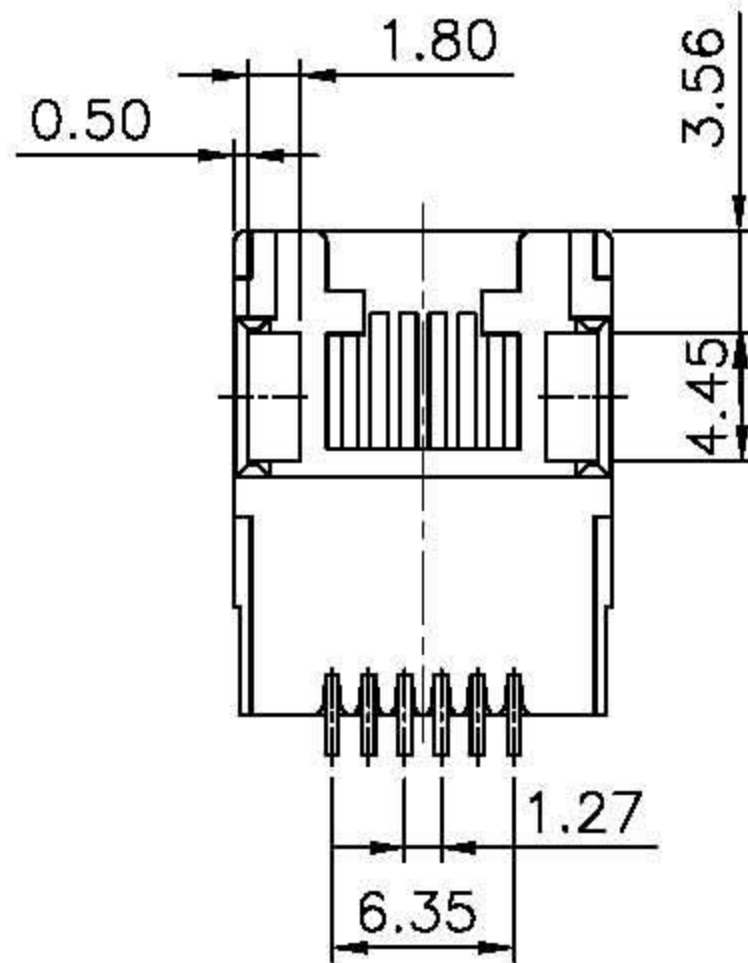
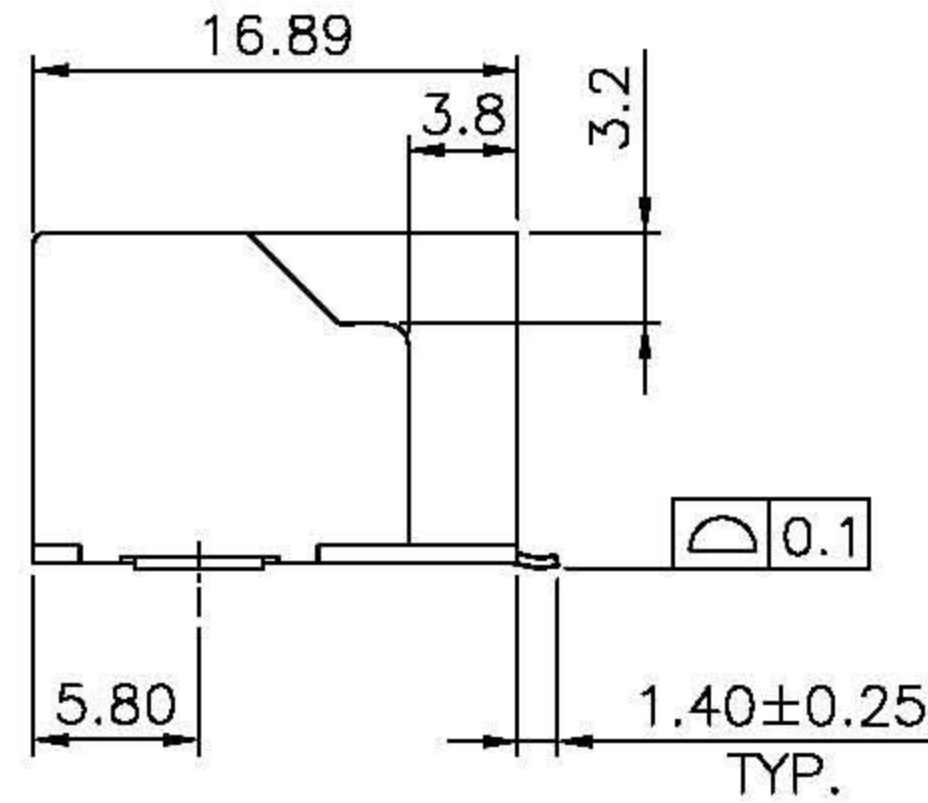
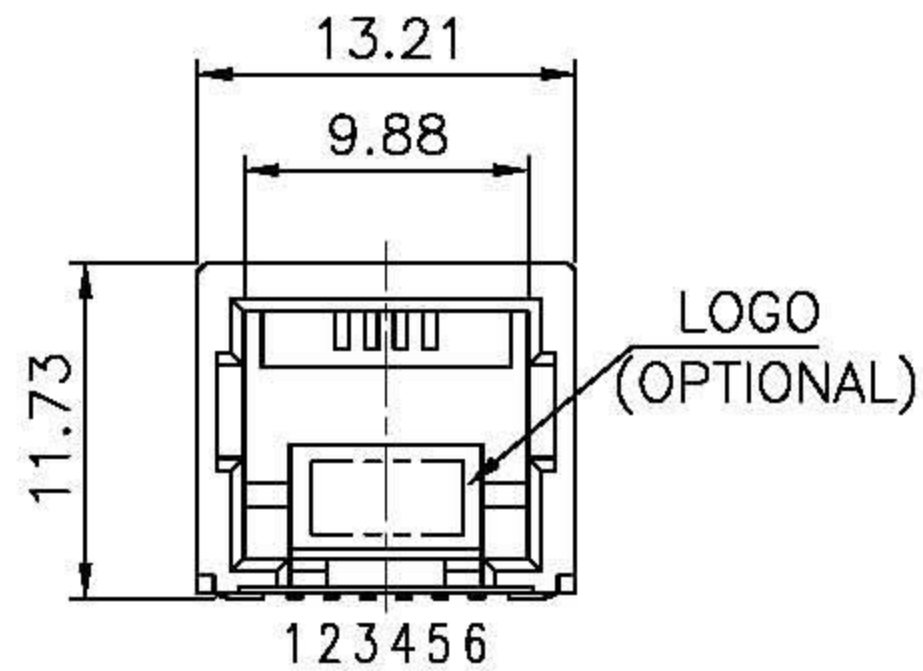


RoHS Compliance



PCB LAYOUT
Ref.

COPLANARITY SPECIFICATION:
WITH THE MODULAR JACK SITTING
ON A LEVEL SURFACE.
THE MAXIMUM GAP BETWEEN
THE LEVEL SURFACE AND ALL
TERMINAL TAILS AND BOTH FITTING
NAILS IS 0.10m/m

DO NOT SCALE
DRAWING

TOLERANCES UNLESS
OTHERWISE NOTED

INCH

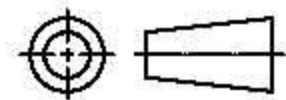
MM

DR.

CIAN.CI.LUO

DATE

DEC-29 '08



THIRD ANGLE PROJECTION

LINEAR

MM
INCH

00 ± .01
000 ± .005
0000 ± .002

0.0 ± 0.25
0.00 ± 0.13
0.000 ± 0.05

CK'D

M.CHANG

DEC-29 '08

MM
INCH

ANGLE ± 0° 30'

RADII

+ 0.40
- 0.15

APP'D

W.J.YANG

DEC-30 '08

E-YUNG ENTERPRISE CO., LTD.

TITLE

RJ11, SMT TYPE, SHIELDLESS
SIDE ENTRY PCB JACK

SCALE

SIZE

DWG.NO.

982001

REV.

2

SHEET

1