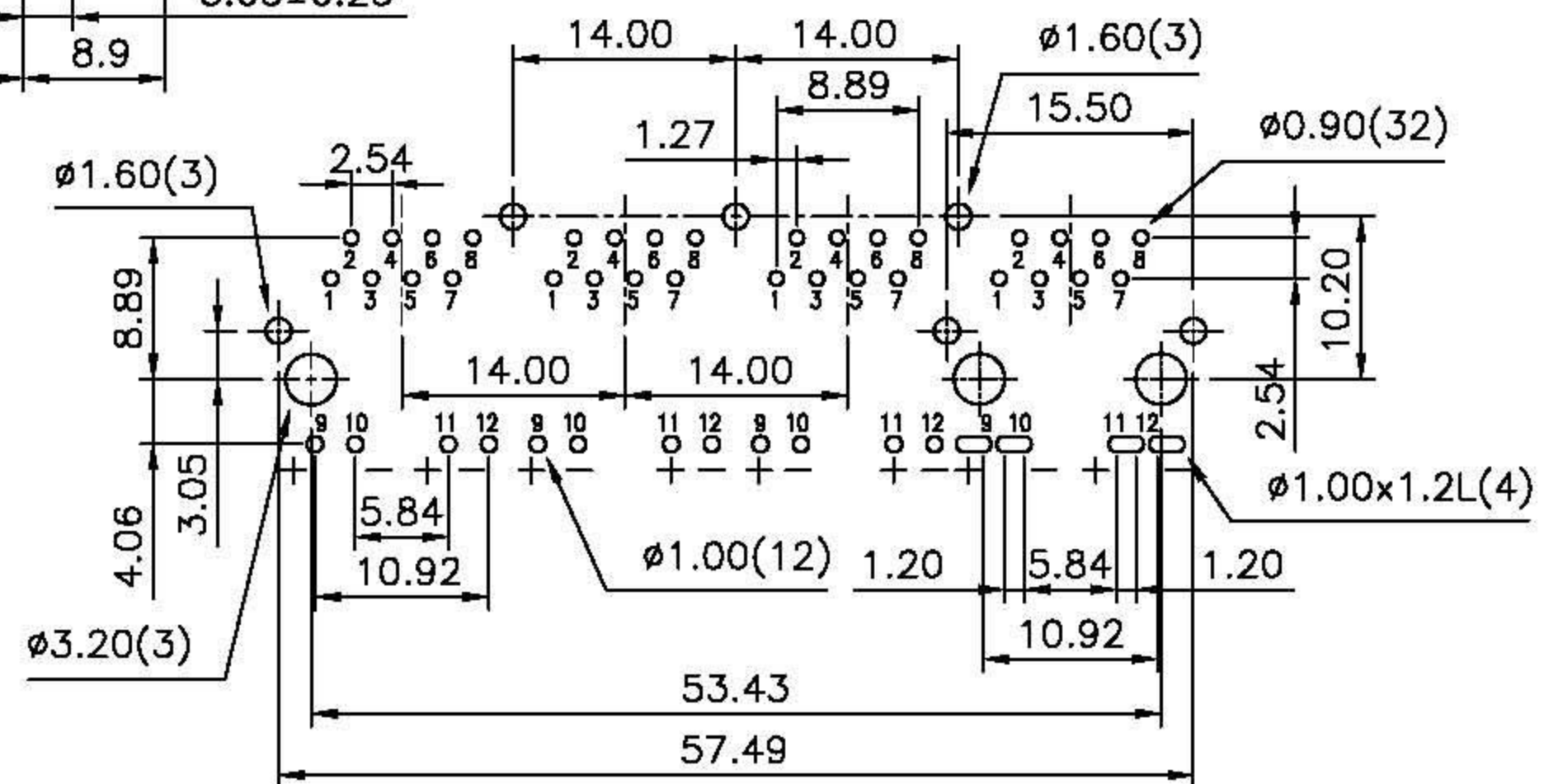


DETAIL X



PCB LAYOUT

Ref.

DO NOT SCALE DRAWING	TOLERANCES UNLESS OTHERWISE NOTED	INCH	MM	DR. <i>M.L.HUANG</i>	DATE FEB-16 '05
THIRD ANGLE PROJECTION	LINEAR MM INCH	00 ± 000 ± 0000 ±	0.0 ± 0.25 0.00 ± 0.20 0.000 ± 0.10	CK'D <i>M.CHANG</i>	FEB-16 '05
MM INCH	ANGLE ± 0° 30'	RADII	+ 0.40 - 0.15	APP'D <i>W.J.YANG</i>	FEB-17 '05

E-YUNG ENTERPRISE CO., LTD.

TITLE 4PORTS, RJ45, WITH LED'S, SHIELDED, FLAT PIN WITH TRANSFORMER, SIDE ENTRY PCB JACK

SCALE	SIZE	DWG.NO.	REV.	SHEET
		981901	5	1