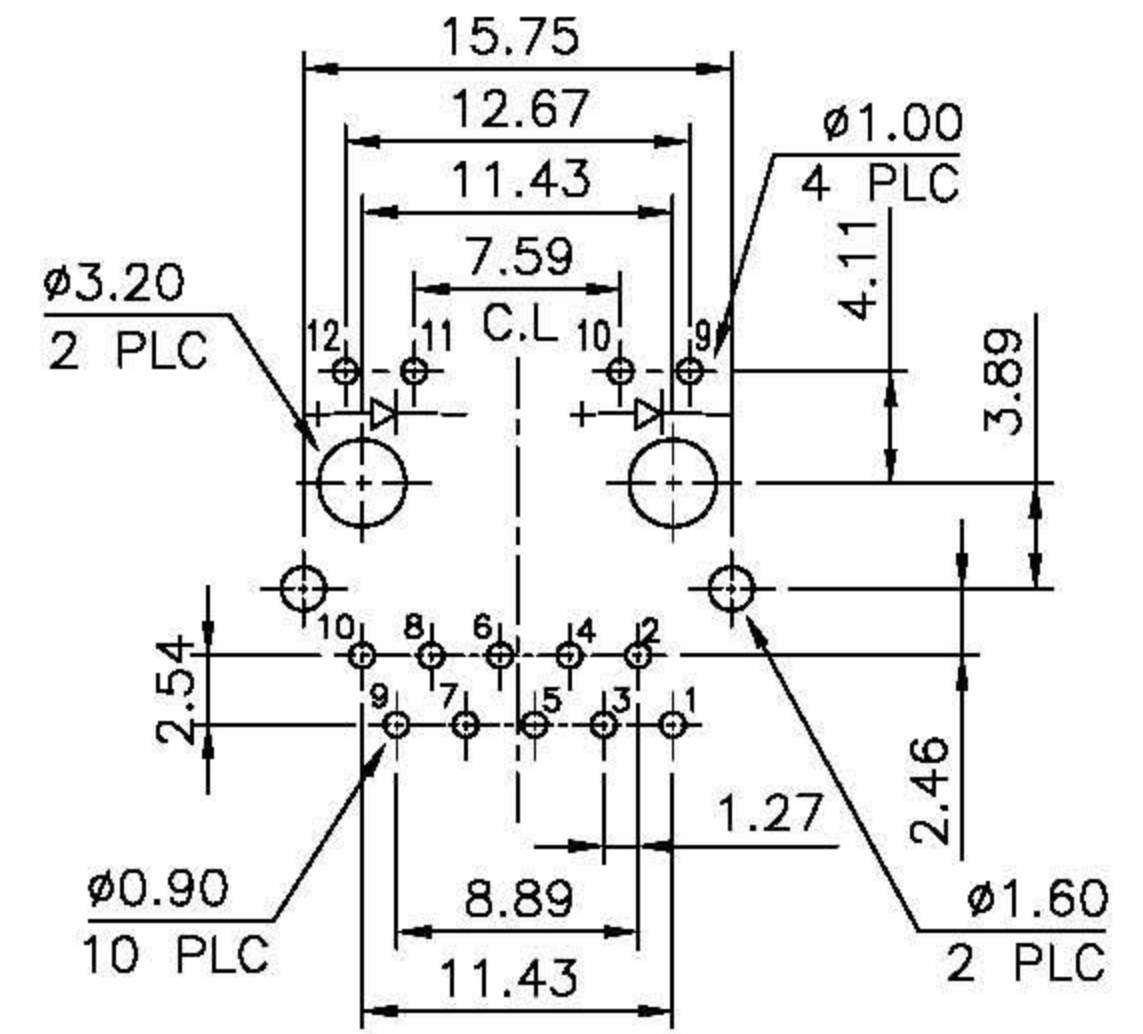
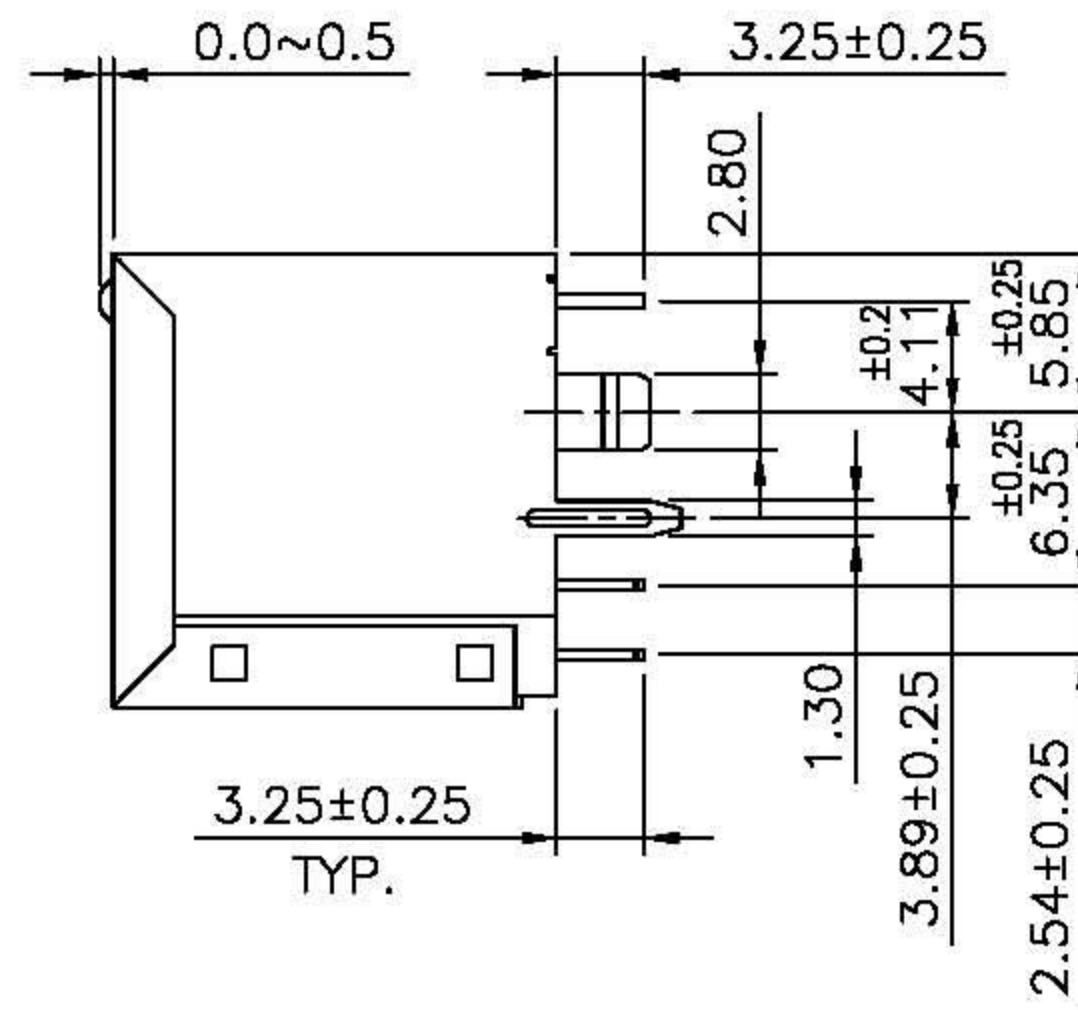
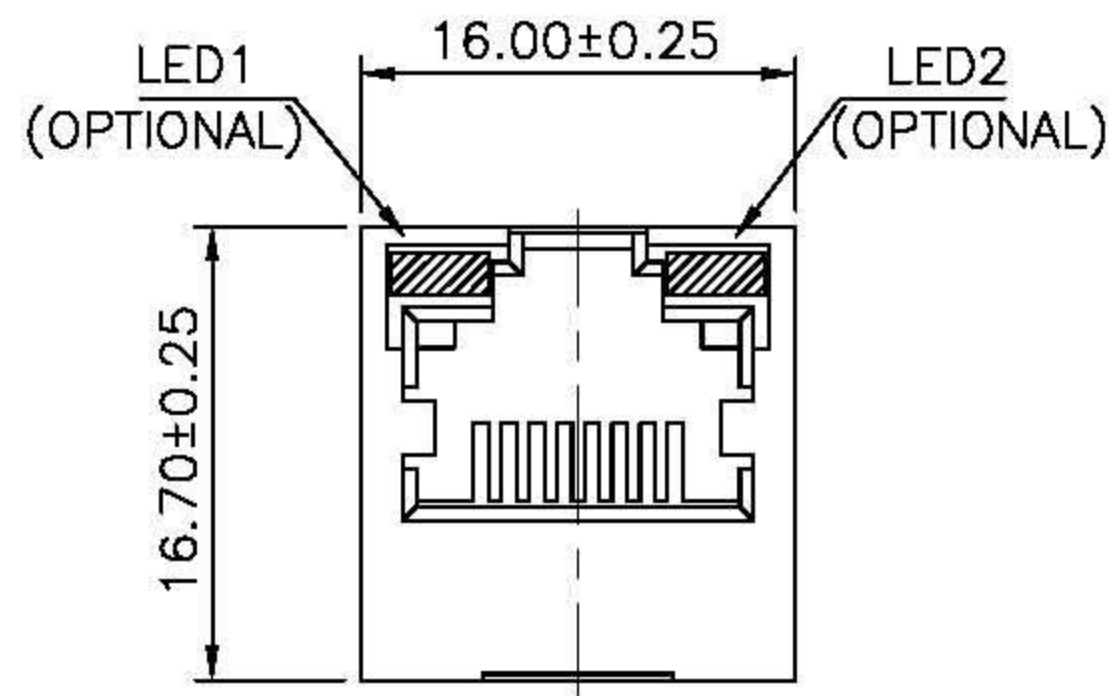


DETAIL X



PCB Layout
Ref.

DO NOT SCALE DRAWING	TOLERANCES UNLESS OTHERWISE NOTED	INCH	MM	DR. <i>M.L.HUANG</i>	DATE SEP-21 '04
THIRD ANGLE PROJECTION	LINEAR	MM INCH	00 ± .01 000 ± .005 0000 ± .002	CK'D <i>M.CHANG</i>	SEP-21 '04
MM INCH	ANGLE ± 0° 30'	RADII	+ 0.40 - 0.15	APP'D <i>W.J.YANG</i>	SEP-23 '04

E-YUNG ENTERPRISE CO., LTD.

TITLE RJ45, WITH LED'S, SHIELDED, WITH TRANSFORMER, FLAT PIN, TOP ENTRY PCB JACK

SCALE SIZE DWG.NO. 981301 REV. 7 SHEET 1