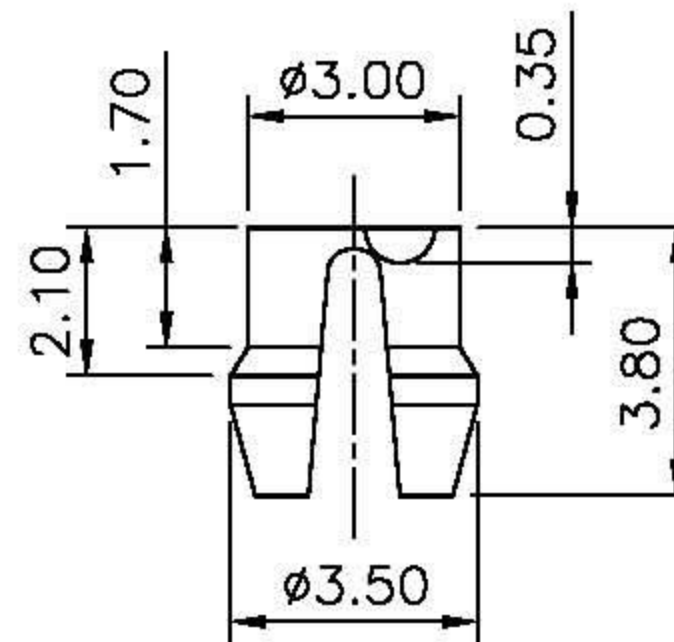
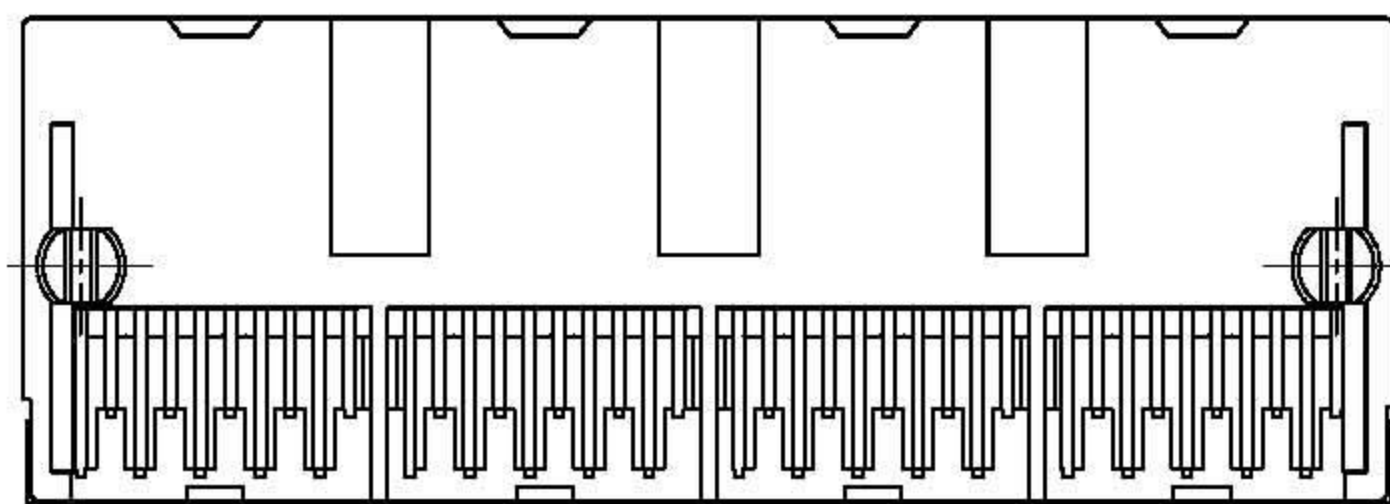
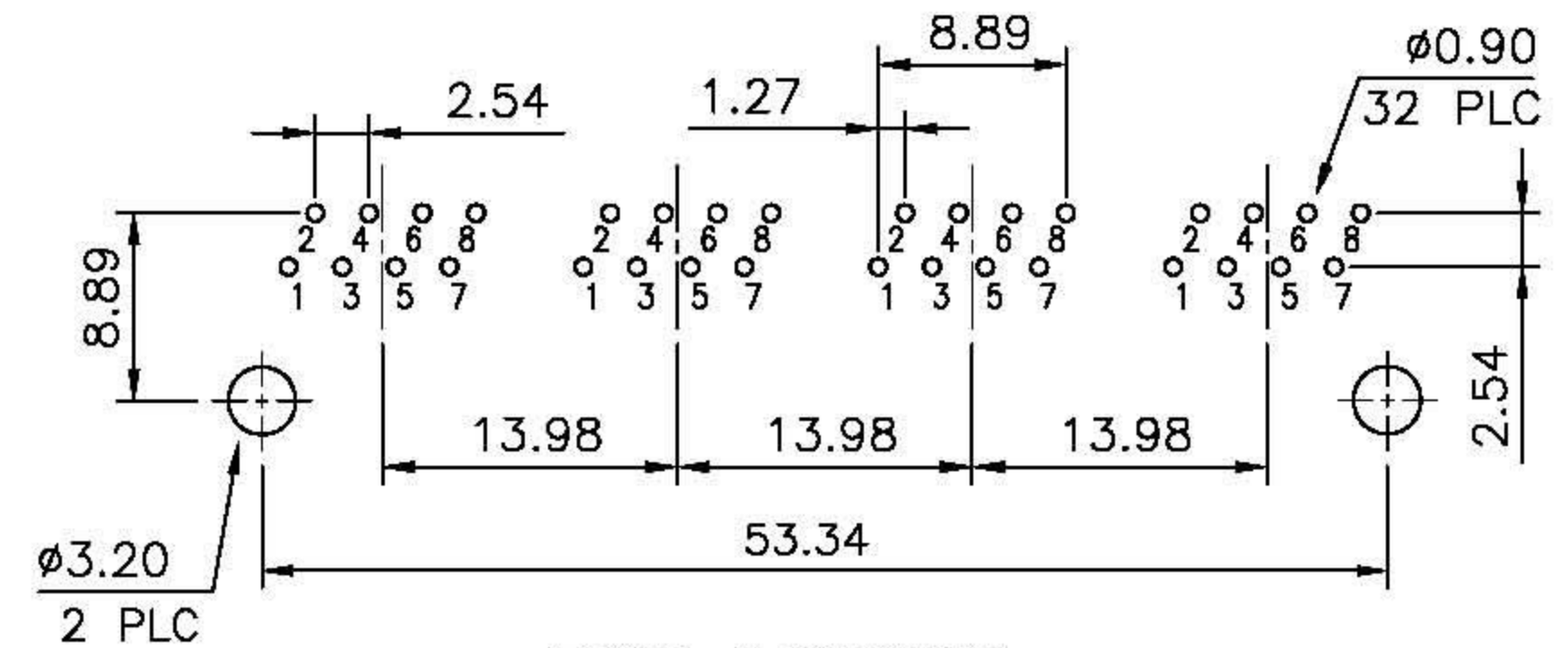


REVISIONS			
LTR	DESCRIPTION	DATE	APP
△	3.40±0.25	05/29/'04	CHANG



DETAIL Y



PCB LAYOUT

Ref.

DO NOT SCALE DRAWING	TOLERANCES UNLESS OTHERWISE NOTED	INCH	MM	DR. <i>M.L.HUANG</i>	DATE MAY-29 '04
THIRD ANGLE PROJECTION	LINEAR	MM INCH	00 ± 000 ± 0000 ±	CK'D <i>M.CHANG</i>	MAY-29 '04
MM INCH	ANGLE ± 0° 30'	RADII	+ 0.40 - 0.15	APP'D <i>W.J.YANG</i>	MAY-29 '04

E-YUNG ENTERPRISE CO., LTD.					
TITLE 4PORTS, RJ45, SHIELDLESS, FLAT PIN, WITH TRANSFORMER, SIDE ENTRY PCB JACK					
SCALE	SIZE	DWG.NO.	REV.	SHEET	
		981002	2	1	